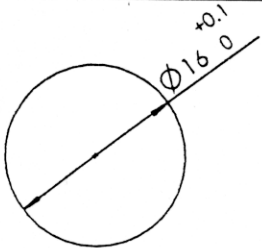
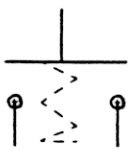
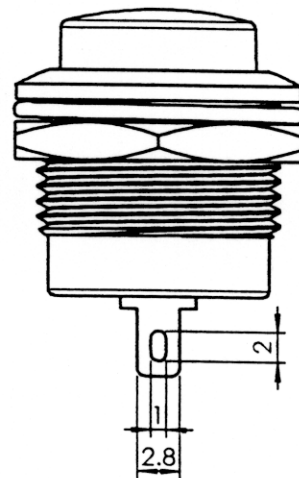
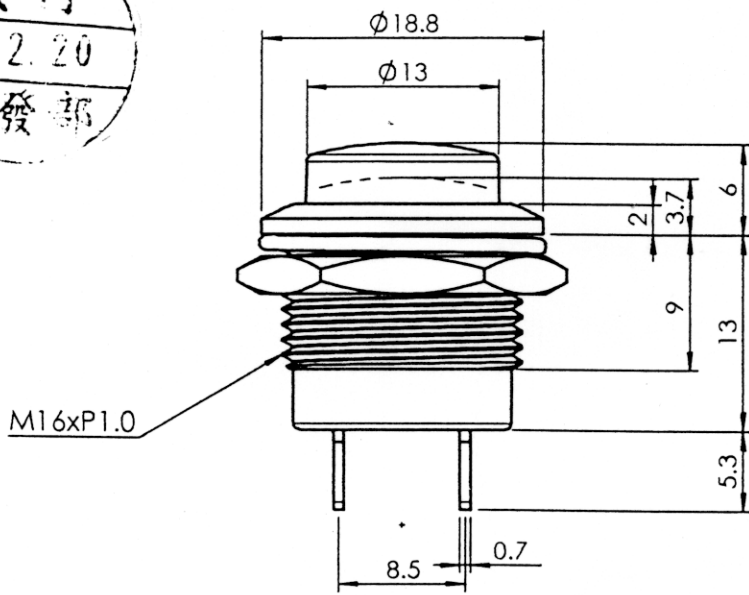
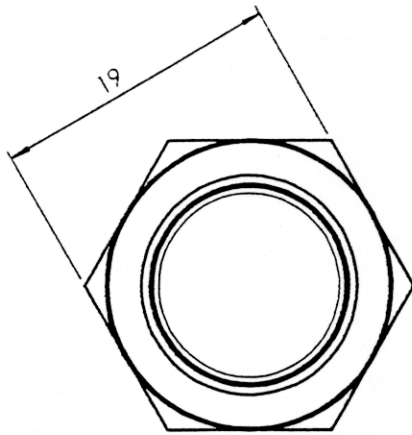






| Order code | Manufacturer code | Description |
|------------|-------------------|---|
| 78-0182 | n/a | 2P SPST OF-(ON) PNL MNT PUSH SWITCH RED |

| | |
|--|--------------------------|
| | Page 1 of 2 |
| The enclosed information is believed to be correct, Information may change 'without notice' due to product improvement. Users should ensure that the product is suitable for their use. E. & O. E. | Revision A 04/07/2003 |

| | | | |
|----------------------------|-----------------------|--|---|
| 規格 Rating | 6A 125VAC/3A 250VAC | 裝配孔 Mount Hole | 線路圖 Circuit Structure |
| 接觸電阻 Contact R. | 50m ohm Max. |  |  |
| 絕緣電阻 Insulation R. | DC 500V 100M ohm Min. | | |
| 耐電壓 Dielectric Strength | AC 1500V 1minute | | |
| 動作特性 Circuit | 2P SPST OFF-(ON) | | |

Operation Temperature: -20°C~85°C
操作溫度



| | | | | | | | |
|--|---------|---|--------------|--------------|--|-----------|--|
| △ DATE | | Name | | Descriptions | | | |
| DRAWN | CHECKED | APPROVED | SCI No. | Model Name | | | |
|  | |  | Customer No. | Model NO. | | R13-507MA | |
| 2/13-01' | |  | Unit | mm |  SHIN CHIN INDUSTRIAL CO., LTD. | | |