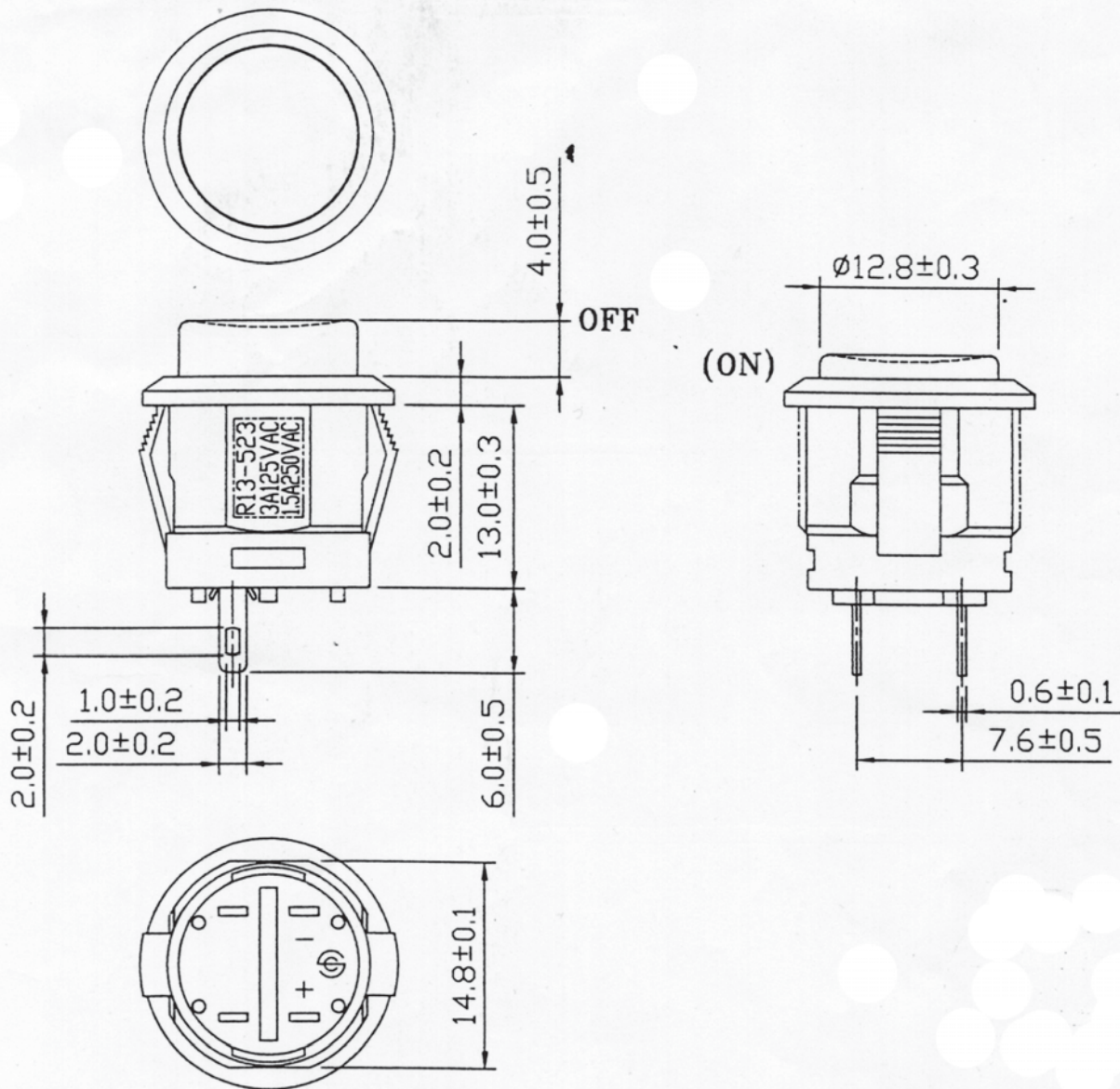


Order code	Manufacturer code	Description
78-0184	R13-523A RED	2P SPST OFF-(ON)PUSH FIT PUSH SWITCH RED

	Page 1 of 3
The enclosed information is believed to be correct, Information may change 'without notice' due to product improvement. Users should ensure that the product is suitable for their use. E. & O. E.	Revision A 04/07/2003

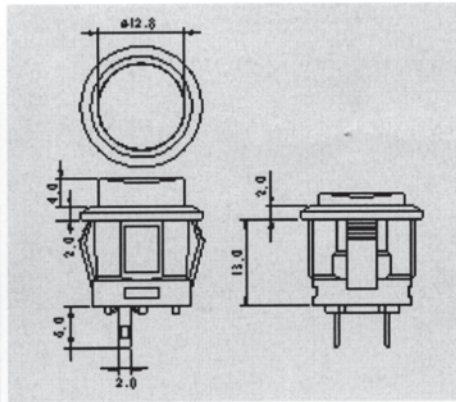
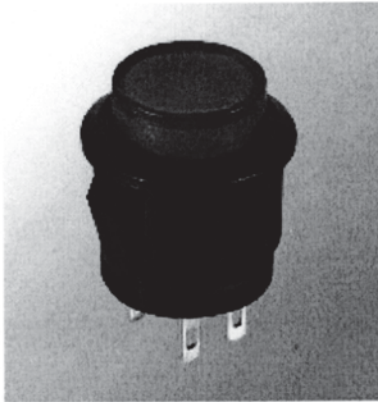
Rating	3A 125V, 1.5A 250V AC		Circuit Structure	
Contact R	50m ohm Max.		OFF	
Insulation R	DC 500V 100M ohm Min.		ON	
Dielectric Strength	AC 1500V 1 minute			
Operating Temperature	-20°~85°			
Circuit	2P SPST (ON)-OFF			



C3\WORK14\R13-523A

△	Date	Name	Descriptions			
Drawing	Check	Approval	SCI No.	Model Name		
王佰山			Customer No.	Model No.	R13-523A-05	
12/20/00			Unit	mm	SHIN CHIN INDUSTRIAL CO., LTD.	

R13-523



Rating

3A 125V AC
1.5A 250V AC

Contact resistance

50mΩ [Max

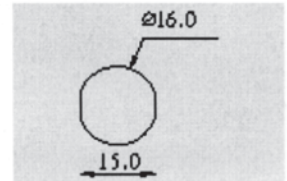
Insulation resistance

DC 500V 100MΩ [Min

Dielectric strength

AC 1500V 1 minute

Cut-out



0.75~3.0 mm max

FEATURES

- MATERIAL: Frames are nylon (UL flame: 94V-2). Terminals are silver plated brass.
- Illuminated actuators are molded in PC, available with red, amber, and green colors.

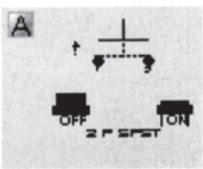
R13-523



FUNCTION

BUTTON

TERMINAL



- W/O LED
- With LED

05 0 SO

