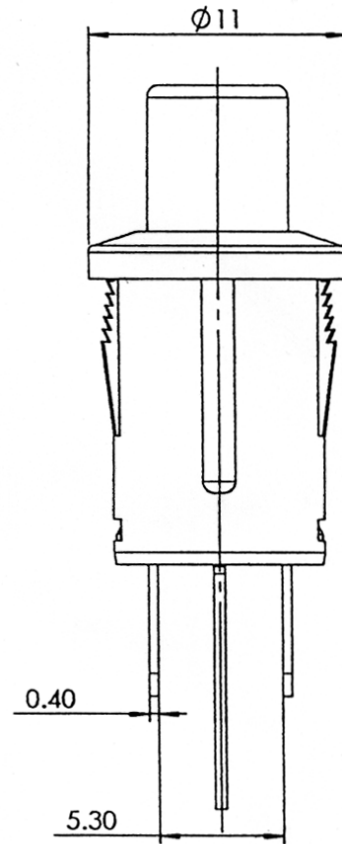
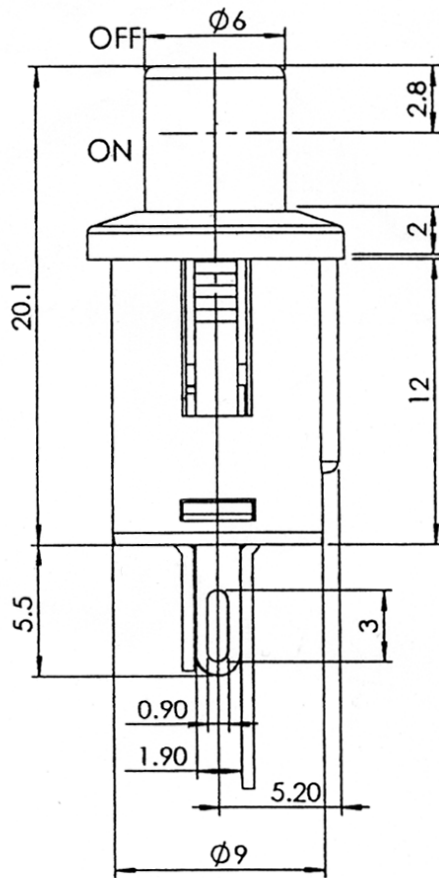
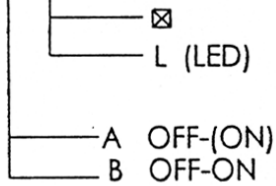


<b>Order code</b>	<b>Manufacturer code</b>	<b>Description</b>
78-0188	R13-529BL RED	2 SPST ON-OFF LOCKING LED PUSH SWITCH

	Page 1 of 2
The enclosed information is believed to be correct, Information may change 'without notice' due to product improvement. Users should ensure that the product is suitable for their use. E. & O. E.	Revision A 04/07/2003

規格 Rating	1A 125VAC/ 0.5A 250VAC	裝配孔 Mount Hole		線路圖 Circuit Structure
接觸電阻 Contact R.	50m ohm Max.			
絕緣電阻 Insulation R.	DC 500V 100M ohm Min.			
耐電壓 Dielectric Strength	AC 1000V 1 minute			
動作特性 Circuit	2P SPST OFF-ON (Illuminated)	板厚 THICKNESS	0.5~2.0mm	

R13-529 □ □ -05



△	DATE	Name	Descriptions			
DRAWN	CHECKED	APPROVED	SCI No.	Model Name	PUSH SWITCH	
黃瑞林		王明	Customer No.	Model NO.	R13-529BL-05	
1/16-03		1/16/03	Unit	3:1	SHIN CHIN INDUSTRIAL CO., LTD.	