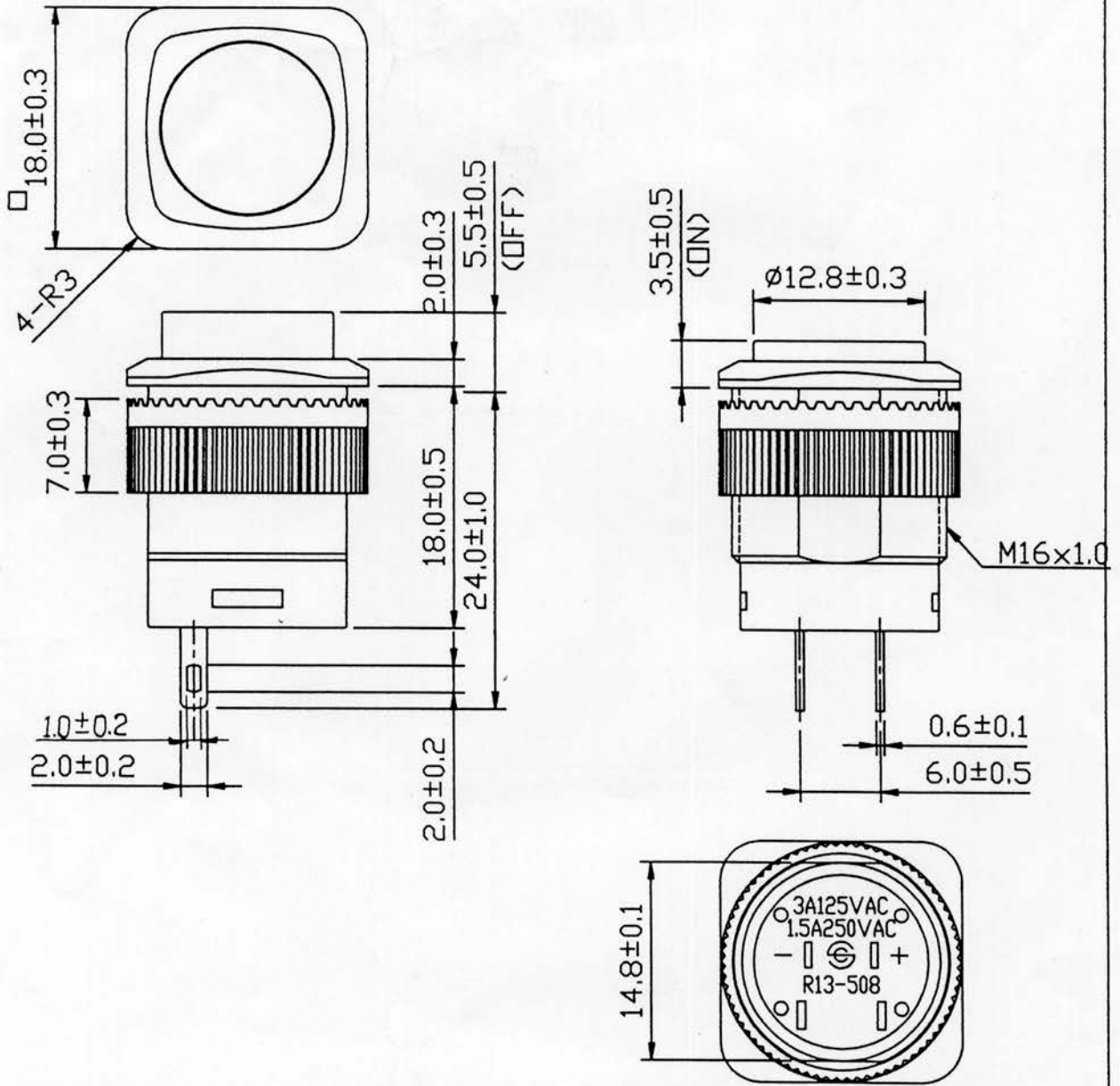


Order code	Manufacturer code	Description
78-0189	R13-508B BLACK	2P SPST ON-OFF LOCKING PNL MNT PUSH SW

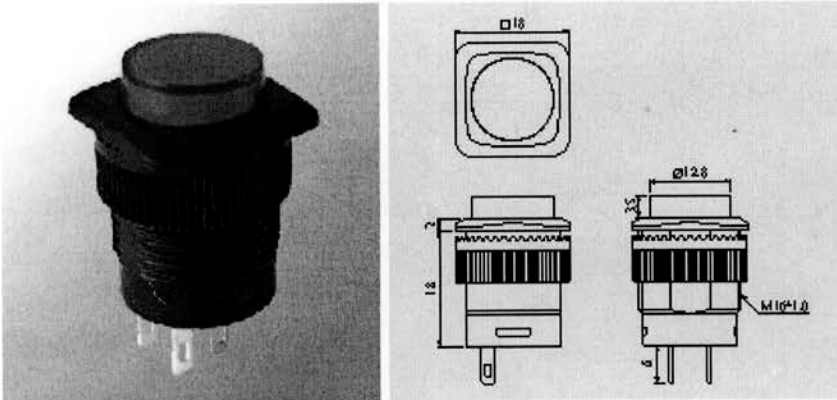
	Page 1 of 3
The enclosed information is believed to be correct, Information may change 'without notice' due to product improvement. Users should ensure that the product is suitable for their use. E. & O. E.	Revision A 04/07/2003

Rating	3A 125V,1.5A 250V AC	Mount Hole	Circuit Structure
Contact R	50m ohm Max.		
Insulation R	DC 500V 100M ohm Min.		
Dielectric Strength	AC 1500V 1 minute		
Circuit	2P SPST OFF-ON		



Spec-No.	R13-508B		No.	Note	Date	Name
Date						
Drawing	Check	Approval				
王伯山						
NOV-26-96						

R13-508



Rating

3A 125V AC
1.5A 250V AC

Contact resistance

50mΩ Max

Insulation resistance

DC 500V 100MΩ Min

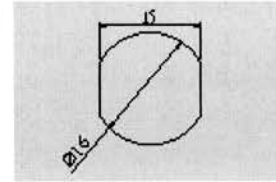
Dielectric strength

AC 1500V 1 minute

Cut-out

FEATURES

- MATERIAL: Frames are nylon with glass fiber (UL flame: 94HB). Terminals are silver plated brass.
- Illuminated actuators are molded in PC, available with red, amber, and green colors.



7 mm max

