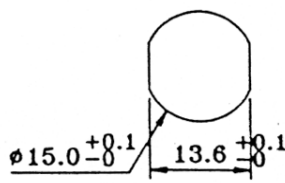

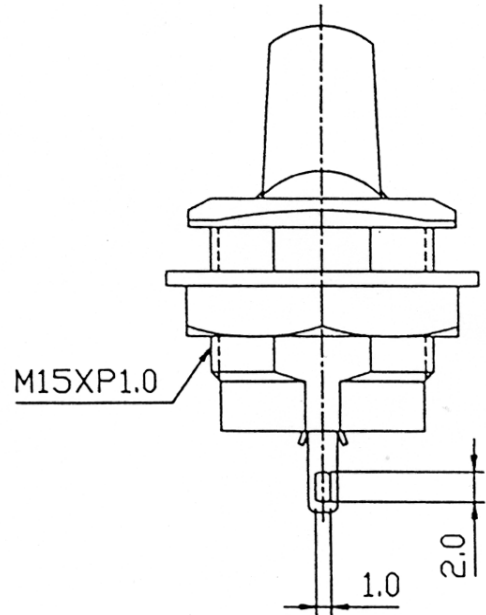
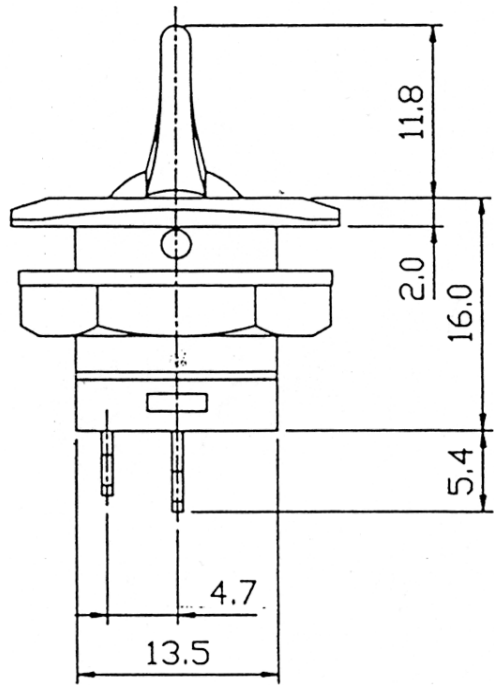
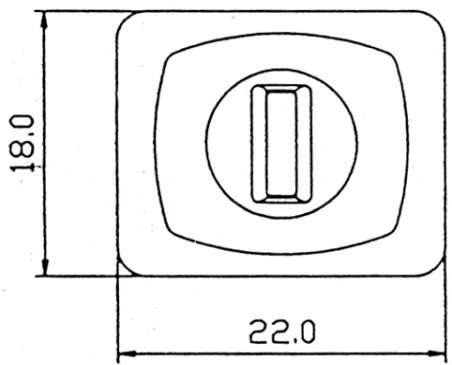


Order code	Manufacturer code	Description
78-0193	R13-402A BLACK	2P SPST ON-OFF PNL MNT TOGGLE BLACK

	Page 1 of 2
The enclosed information is believed to be correct, Information may change 'without notice' due to product improvement. Users should ensure that the product is suitable for their use. E. & O. E.	Revision A 04/07/2003

Rating	6A 125V, 3A 250V AC	Mount Hole	Circuit Structure
Contact R	50m ohm Max.		
Insulation R	DC 500V 100M ohm Min.		
Dielectric Strength	AC 1500V 1 minute		
Circuit	2P SPST OFF-ON		



Spec-No.	R13-402A		No.	Note	Date	Name
Date						
Drawing	Check	Approval				
王作山		李号辉				
Oct-07-95		10/9-95				