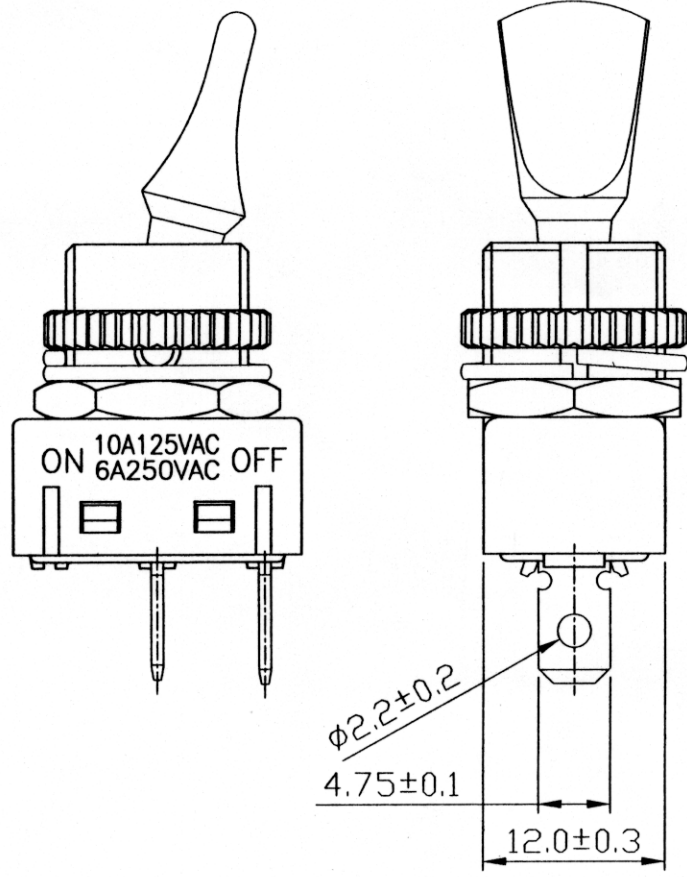
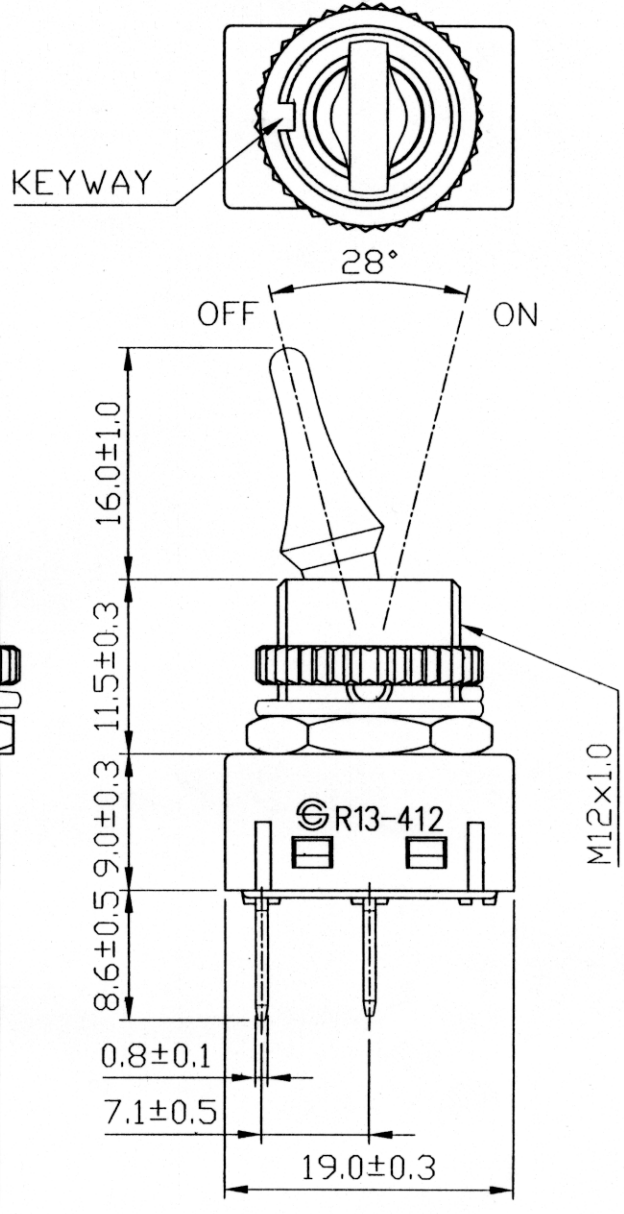


Order code	Manufacturer code	Description
78-0194	R13-412A1 BLACK	2P SPST ON-OFF 8A PNL MNT TOGGLE BLACK

	Page 1 of 2
The enclosed information is believed to be correct, Information may change 'without notice' due to product improvement. Users should ensure that the product is suitable for their use. E. & O. E.	Revision A 04/07/2003

<b>Rating</b>	10A 125V,6A 250V AC	<b>Mount Hole</b> 	<b>Circuit Structure</b> 
<b>Contact R</b>	50m ohm Max.		
<b>Insulation R</b>	DC 500V 100M ohm Min.		
<b>Dielectric Strength</b>	AC 1500V 1 minute		
<b>Circuit</b>	2P SPST ON-OFF		



Customer No.			No.	Date	Name	Descriptions
SCI No.						
Model No.	R13-412A1-HWR					
Drawing	Check	Approval				
張明強	王佰山	研發部 89.3.30				
89/3/30	3/30 伍	李景煌				