

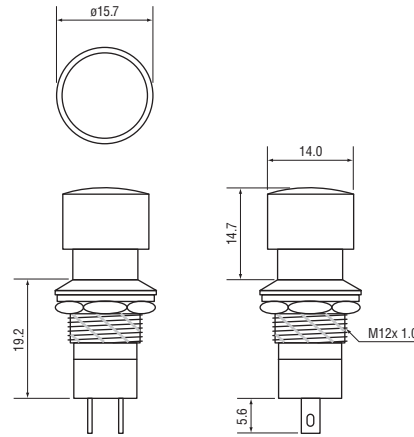


Latching Push Switches

Red order code: **78-0237**
Black order code: **78-0238**



Screw type



Rating

3A 125V AC
1.5A 250V AC

Contact resistant

50mΩ max.

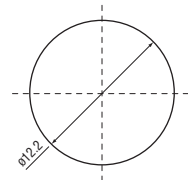
Insulation resistant

DC 500V 100MΩ min.

Dielectric strength

AC 1000V 1 minute

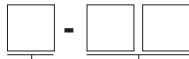
Cut out



Features:

- Material: Actuator and frame are ABS (UL flame: 94HB). Base is phenolic.
- Mounted by nut.

R13-40



FUNCTION		TERMINAL	
A		0	5
B			SO