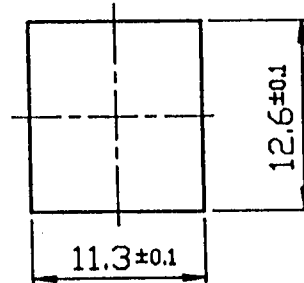
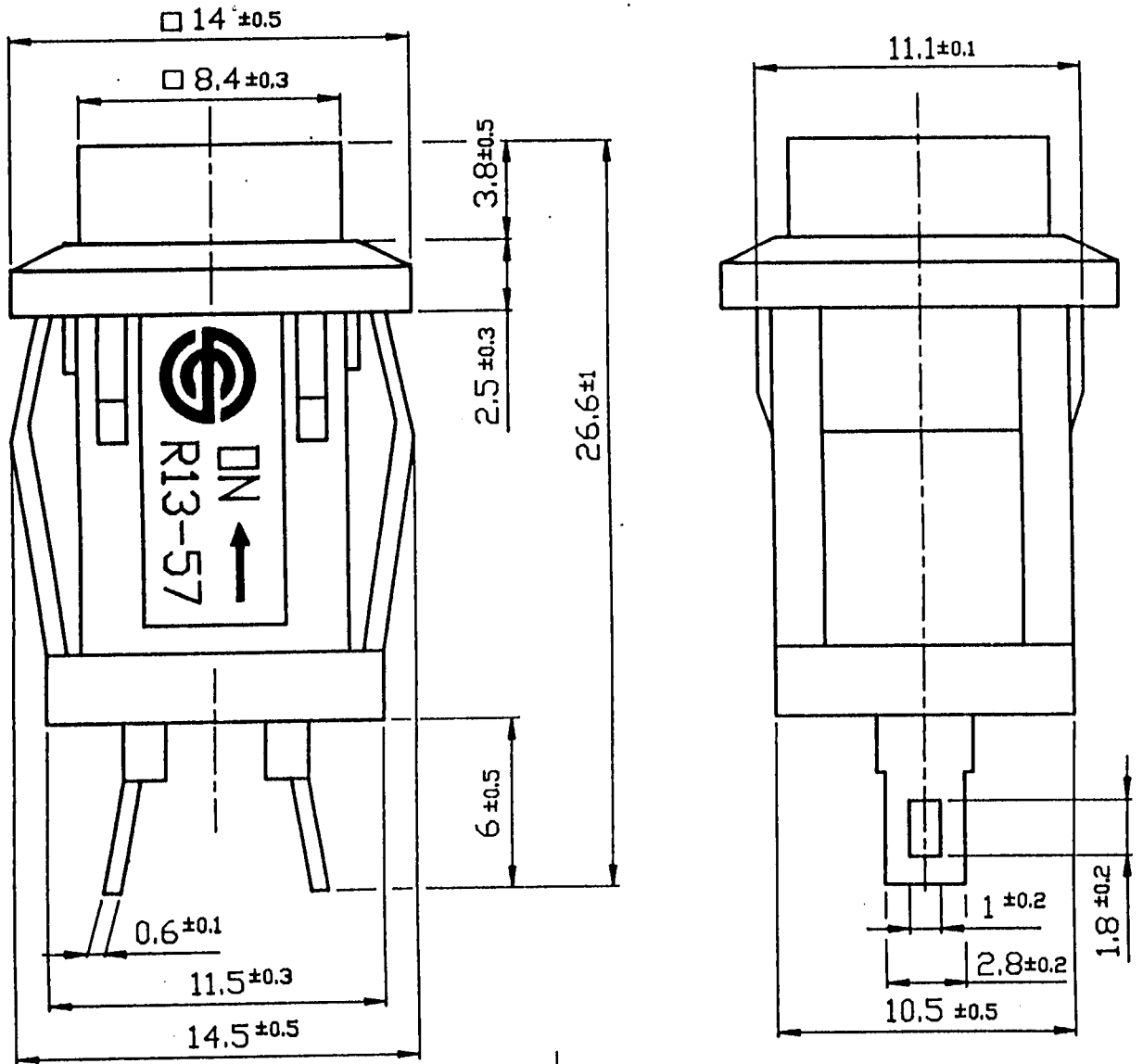


Push switches

Order code	Manufacturer code	Description
78-0380	n/a	RED PUSH TO BREAK SWITCH
78-0395	n/a	WHITE PUSH TO BREAK SWITCH

Push switches	Page 1 of 2
The enclosed information is believed to be correct, Information may change 'without notice' due to product improvement. Users should ensure that the product is suitable for their use. E. & O. E.	Revision A 04/07/2003



Switching function
 (Circuit) : 2P SPST ON-(OFF)
 Rating : 1A 125V AC
 Contact Resistance : 20m Max.
 Insulation Resistance : DC V M Min.
 Voltage Breakdown : AC V 1 minute