

Miniature Slide Switch DPDT



DESCRIPTION

A miniature slide switch with solder tag connections and break-before-make DPDT contacts.

DISTINCTIVE FEATURES

- Rated current 300mA
- Rated voltage 125V
- Solder terminals
- Top actuation

APPLICATIONS

Especially suitable for miniature electronic devices such as hand-held devices, toys, battery-powered equipment.

DPDT

300
mA

125
VAC

50
VDC



ELECTRICAL SPECIFICATION

Contact Rating	0.3A @ 125V AC 0.5A @ 50V DC
Contact Resistance	50mΩ max.
Insulation Resistance	100MΩ min.
Dielectric Strength	250V AC for 1 Minute



GENERAL SPECIFICATION

Type	Slide switch
Contacts	DPDT
Actuation Distance	3.2mm
Operating Force	250gf ±80gf
Mechanical Life	>5000 operations
Electrical Life	>5000 operations
Terminal Strength	A static load of 5.0N (500gf) applied to the tip of the terminals for 15 sec
Weight	2g



MATERIALS

Housing	PF
Button	POM
Cover	Steel - Nickel Plated
Contact	Brass - Silver Plated



ENVIRONMENTAL/OPERATING SPECIFICATION

Operating Temperature	-25°C to +85°C
Salt Spray (5% NaCl solution for 8 hours, wash, then normal conditions for 30 min)	No visible damage or corrosion
Soldering Temperature - Flow Solder	Top of the terminals to be dipped to 2mm max. Body must be at least 1.6mm above solder. Solder operation time limit < 3 seconds at 260°C ± 5°C”
Soldering Temperature - Hand Solder	Solder operation time limit < 3 seconds at 260°C ± 5°C
Cleaning	After soldering do not use air guns or solvents
Storage	Must not be stored in high temperature, high humidity or corrosive environments



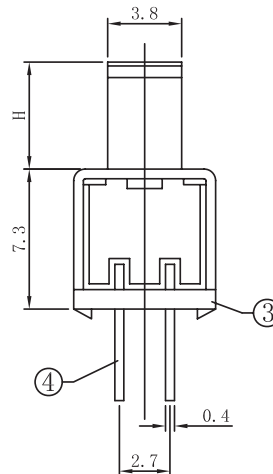
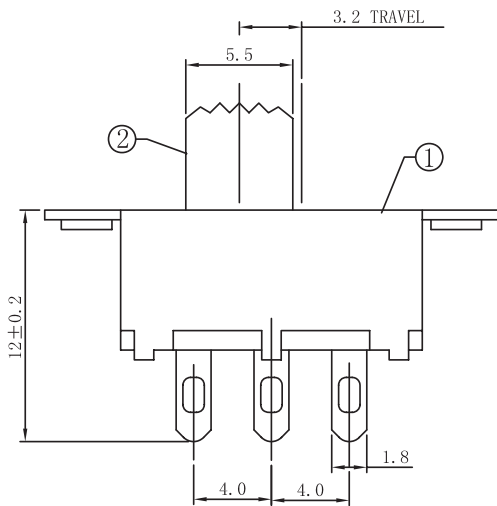
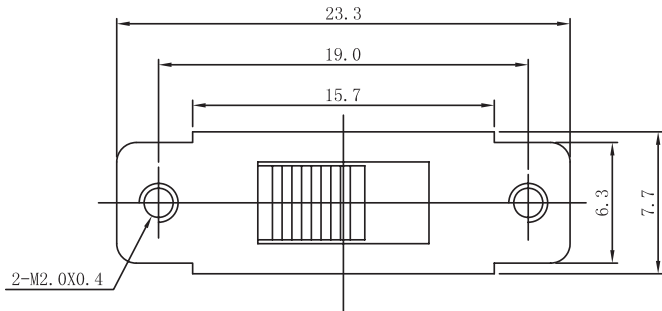
TERMINALS

Type	Solder tag
------	------------

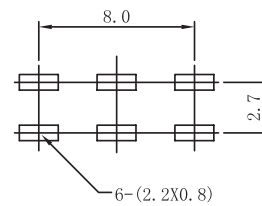


DIMENSIONS/DRAWINGS

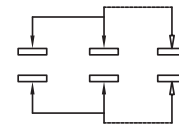
Dimensions	mm
------------	----



P.C.B LAYOUT
TOP VIEW



SCHEMATIC



H=7.0MM



PART NUMBER TABLE

Part Number	EAN	UNSPSC	Country of origin
78-0560	5053556002252	39122212	China

R-TECH

Tried & trusted technology

Important Notice: This data sheet and its contents (the "Information") belong to Rapid Electronics Limited or are licensed to it. No licence is granted for the use of it other than for information purposes in connection with the products to which it relates. No licence of any intellectual property rights is granted. The Information is subject to change without notice and replaces all data sheets previously supplied. The Information supplied is believed to be accurate but Rapid Electronics Limited assumes no responsibility for its accuracy or completeness, any error in or omission from it or for any use made of it. Users of this data sheet should check for themselves the Information and the suitability of the products for their purpose and not make any assumptions based on information included or omitted. Liability for loss or damage resulting from any reliance on the Information or use of it (including liability resulting from negligence or where Rapid Electronics Limited were aware of the possibility of such loss or damage arising) is excluded. This will not operate to limit or restrict Rapid Electronics Limited's liability for death or personal injury resulting from its negligence.