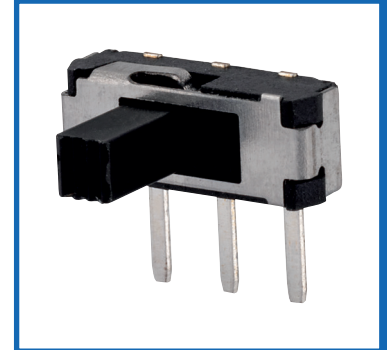


Right Angle Miniature Slide Switch SPDT 4.4mm Actuator Height



DESCRIPTION

A miniature SPDT slide switch with an extended 4.4mm actuator.

DISTINCTIVE FEATURES

- Rated current 500mA
- Rated voltage 12V
- PCB Terminals
- Top actuation
- Extended actuator 4.4mm

APPLICATIONS

Suitable for use where the 4.4mm extended actuator will be of benefit: PCB mounting within an enclosure, soft toys, panel mounted devices.

SPDT

500mA

12VDC

Miniature

4.4mm
Actuator



ELECTRICAL SPECIFICATION

Contact Rating	0.5A @ 12V DC
Contact Resistance	20mΩ max.
Insulation Resistance	100MΩ min.
Dielectric Strength	250V AC for 1 Minute



GENERAL SPECIFICATION

Type	Slide switch
Contacts	SPDT
Actuation Distance	2.0mm
Actuation Force	200gf ± 100gf
Mechanical Life	>5000 operations
Electrical Life	>5000 operations
Terminal Strength	A static load of 5.0N (500gf) applied to the tip of the terminals for 15 sec
Weight	1g



MATERIALS

Housing	PF
Button	POM
Cover	Steel - Nickel Plated
Contact	Copper - Silver Plated



ENVIRONMENTAL/OPERATING SPECIFICATION

Operating Temperature	-25°C to +85°C
Salt Spray (5% NaCl solution for 8 hours, wash, then normal conditions for 30 min)	No visible damage or corrosion
Soldering Temperature - Flow Solder	Top of the terminals to be dipped to 2mm max. Body must be at least 1.6mm above solder. Solder operation time limit < 3 seconds at 260°C ± 5°C
Soldering Temperature - Hand Solder	Solder operation time limit < 3 seconds at 260°C ± 5°C
Cleaning	After soldering do not use air guns or solvents
Storage	Must not be stored in high temperature, high humidity or corrosive environments



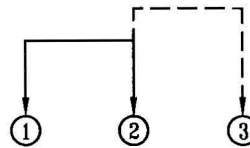
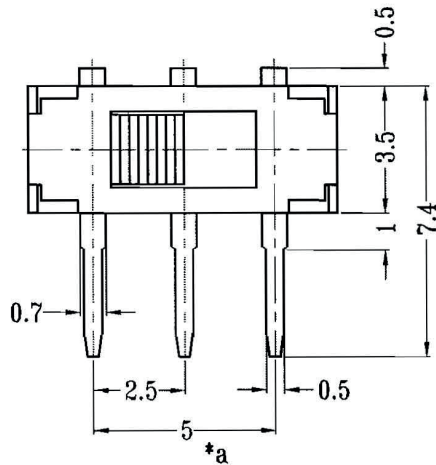
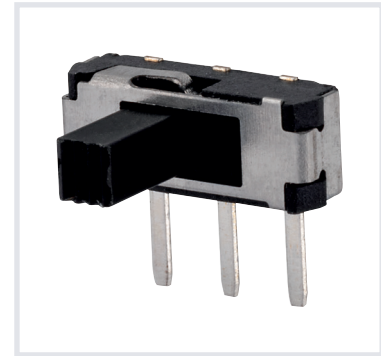
TERMINALS

Type	PCB Terminals
------	---------------

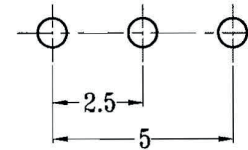


DIMENSIONS/DRAWINGS

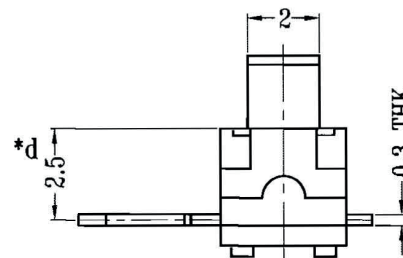
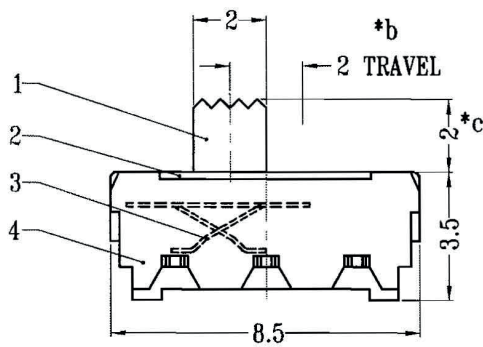
Dimensions	mm
------------	----



SCHMATIC



P.C.B LAYOUT



PART NUMBER TABLE

Part Number	EAN	UNSPSC	Country of origin
78-0566	5053556002313	39122212	China

R-TECH

Tried & trusted technology

Important Notice: This data sheet and its contents (the "Information") belong to Rapid Electronics Limited or are licensed to it. No licence is granted for the use of it other than for information purposes in connection with the products to which it relates. No licence of any intellectual property rights is granted. The Information is subject to change without notice and replaces all data sheets previously supplied. The Information supplied is believed to be accurate but Rapid Electronics Limited assumes no responsibility for its accuracy or completeness, any error in or omission from it or for any use made of it. Users of this data sheet should check for themselves the Information and the suitability of the products for their purpose and not make any assumptions based on information included or omitted. Liability for loss or damage resulting from any reliance on the Information or use of it (including liability resulting from negligence or where Rapid Electronics Limited were aware of the possibility of such loss or damage arising) is excluded. This will not operate to limit or restrict Rapid Electronics Limited's liability for death or personal injury resulting from its negligence.