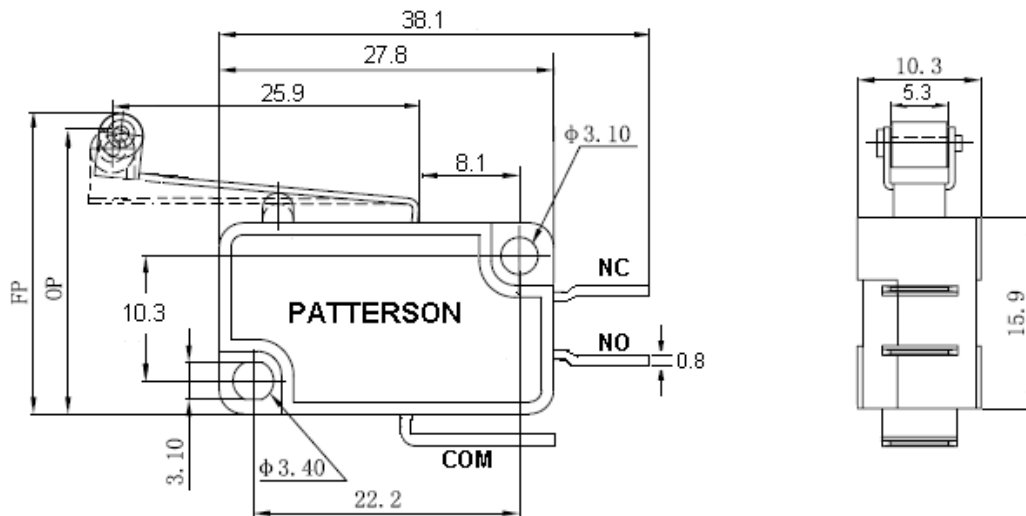


Roller Microswitch 78-0710

Part No.	V15 - FL 2 - C2
Rating	15A
Terminal	C2
Circuit Position	S.P.D.T.
Operating Force (OF)	Max. 150g
Releasing Force (RF)	Min. 14g
Pre-travel (PT)	Max. 3.3mm
Over-travel (OT)	Min. 1.6mm
Movement Differential (MD)	Max. 1.2mm
Operating Position (OP)	20.7±1.2mm
Dielectric Strength (Between Contacts)	1000V AC; 50 / 60Hz for 1 minute
Dielectric Strength (Between Terminal and Ground)	1500V AC; 50 / 60Hz for 1 minute
Mechanical Service Life	5,000,000 operations / (Min.)
Electrical Service Life	500,000 operation / (Min.) (at rated load)
Ambient Temperature	-25°C to +80°C



Tolerance ± 0.4