

Microswitches

Order code	Manufacturer code	Description
78-0730	n/a	MICROMINIATURE BUTTON SWITCH

Microswitches	Page 1 of 3
The enclosed information is believed to be correct, Information may change 'without notice' due to product improvement. Users should ensure that the product is suitable for their use. E. & O. E.	Revision A 04/07/2003

1. Mechanical Specifications

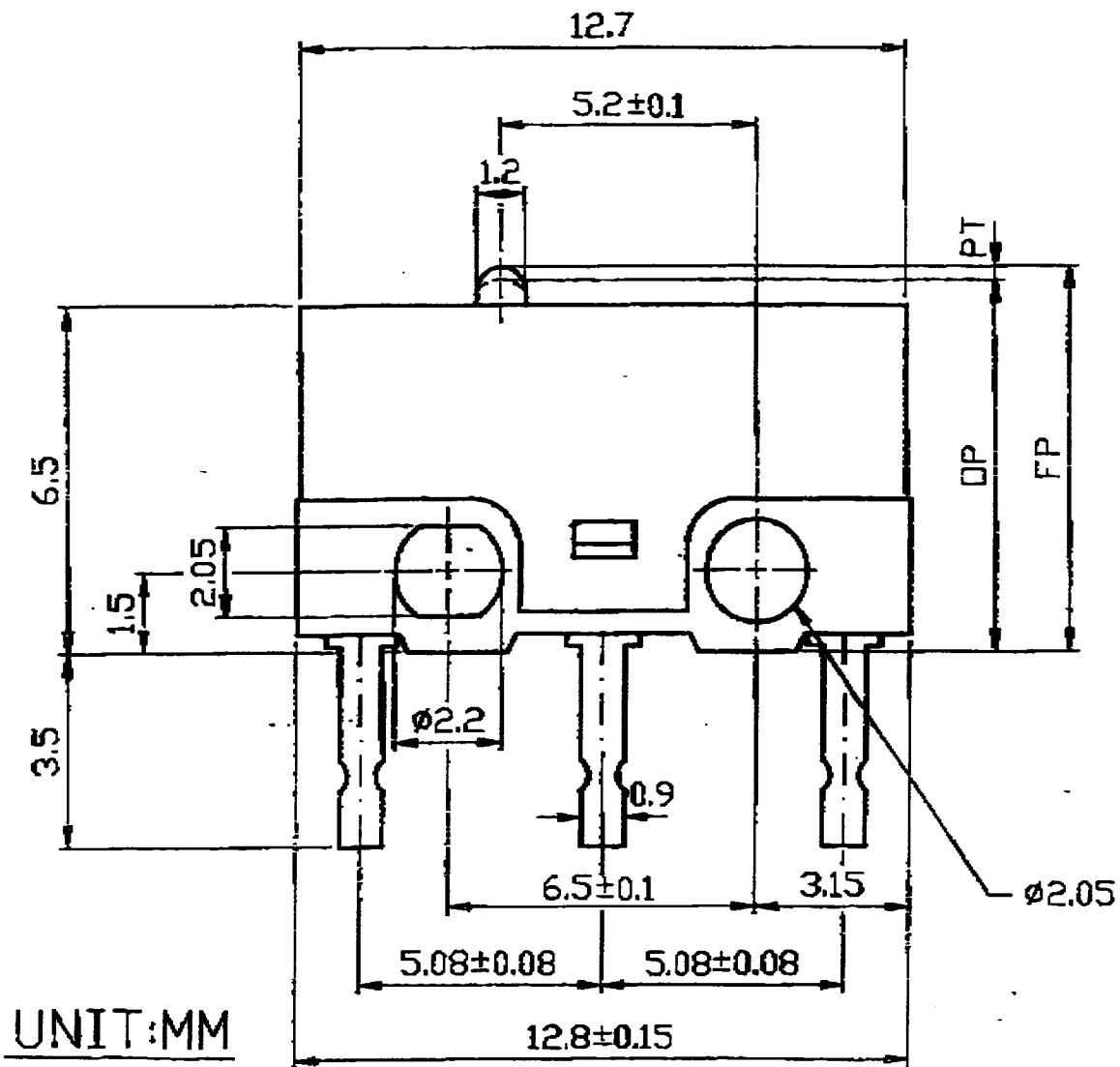
Shock Resistance	:	100g
Max. Operating Frequency	:	200 Operations/Min.
Service Life	:	Min. 10,000,000 Operations
Operating Force (OF)	:	Max. 150g
Releasing Force (RF)	:	Min. 20g
Operating Position (OP)	:	7.0 ± 0.3mm
Movement Differential (MD)	:	Max. 0.2mm
Free Position (FP)	:	Max. 8.0mm
Overtravel (OT)	:	Min. 0.2mm
Pretravel (PT)	:	Max. 1.3mm

2. Electrical Specification

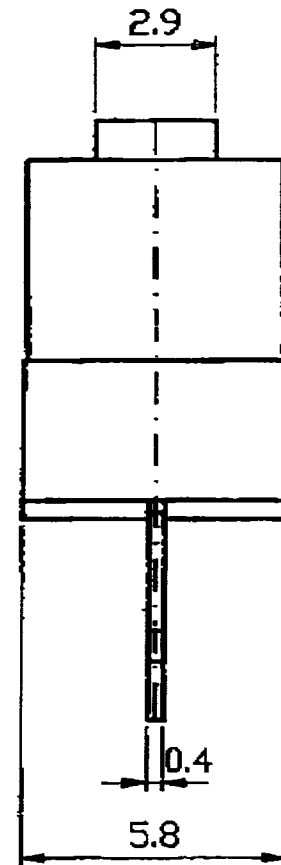
Rating	:	3A 125V _{AC}
Contact Resistance	:	Max. 30 M ohms. (Initial)
Insulation Resistance	:	Min. 100 M ohms (at 250V _{DC})
Service Life	:	Min. 30,000 on resistive load current 3A 125V _{AC}
Max. Operating Frequency	:	30 Operations/Min.
Shock Resistance	:	30g

3. Durability Specification

Ambient Temperature	:	-25°C to +85°C
Ambient Humidity	:	Max. 85% RH
Solder Dip Time	:	Within 5 Sec. at 250 ± 5°C



UNIT:MM



Tolerance ± 0.4