

SF12 Series

Application

- ✓ Musical instruments, Industrial control, and others

Feature

- ✓ Durable structure
- ✓ SPDT and DPDT are all available



■Specification

Rating	125V AC 6A, 250V AC 3A, 30V DC 4A
Withstand Voltage	1000V AC - 1 minute
Contact Resistance	50 mΩ Max.
Insulation Resistance	500V DC - 100MΩ Min.
Operating Life Cycle	Latching type: 10,000 cycles Momentary type: 20,000 cycles

■How to order

SF12011F - 0202 - 20R - L

[Model](#)

Number of Pole & Position
Ex. 0102 – 1 pole 2 positions
0202 – 2 poles 2 positions

Actuator Type


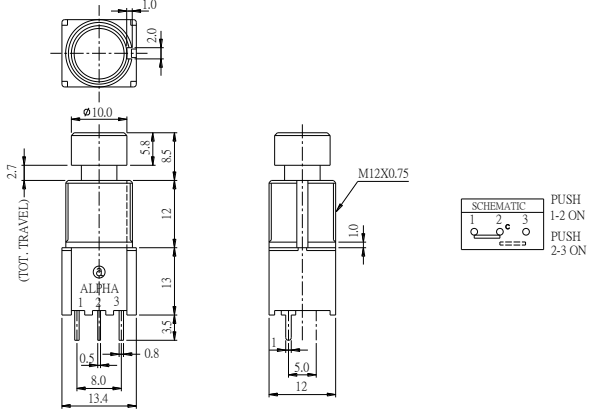

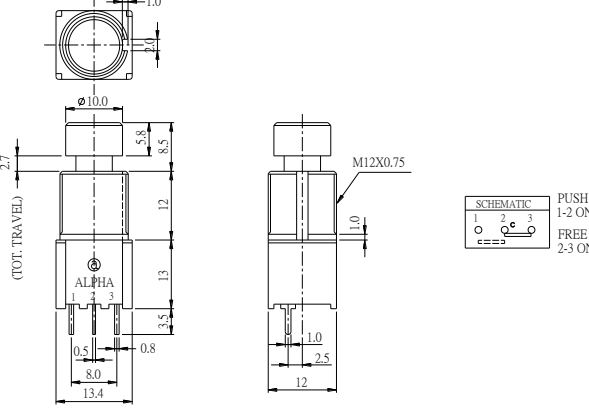
Timing

Order Code	Description
L	Latching
M	Momentary

SF12 Series

Model Description

Model	Terminal Type	Pole	Position	Operating Force	Timing
SF12011F-0102	PCB	1	2	-L = 1.0 ± 0.7 kgf.cm; -M = 1.7 ± 0.7 kgf.cm	Latching / Momentary
SF12011DF-0102	PCB	1	2		
SF12020F-0102	Soldering	1	2		
SF12020DF-0102	Soldering	1	2		
SF12011F-0202	PCB	2	2	-L = 1.6 ± 0.5 kgf.cm; -M = 2.8 ± 0.8 kgf.cm	
SF12011DF-0202	PCB	2	2		
SF12020F-0202	Soldering	2	2		
SF12020DF-0202	Soldering	2	2		
SF12030F	N/A	N/A	N/A	650 ± 200 gf.cm	N/A
SF12030DF	N/A	N/A	N/A	650 ± 200 gf.cm	N/A


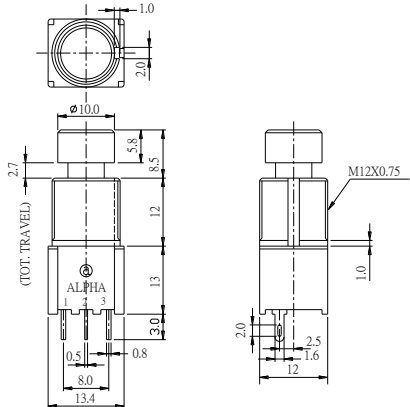
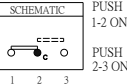

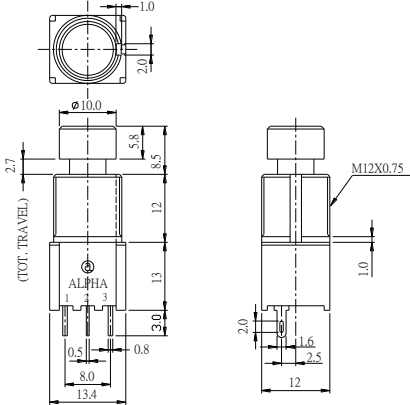
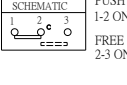

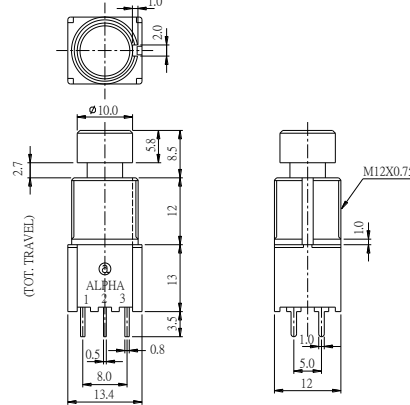
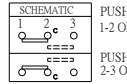

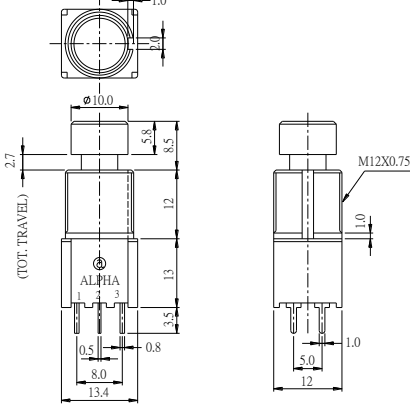
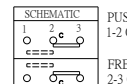
Order Code	Outline Drawing
SF12011F-0102-20R-L-011 SF12011DF-0102-20R-L-011 	 <p>SCHEMATIC: PUSH 1-2 ON, PUSH 2-3 ON</p>
SF12011F-0102-20R-M-011 SF12011DF-0102-20R-M-011 	 <p>SCHEMATIC: PUSH 1-2 ON, FREE 2-3 ON</p>

[Back to top](#)

FOOT SWITCH


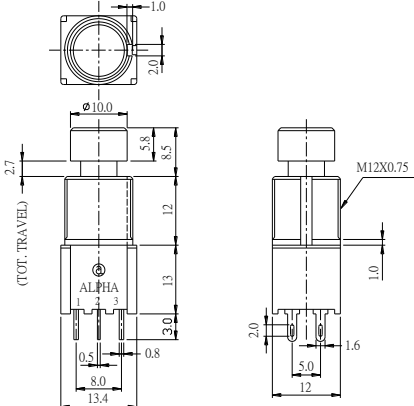

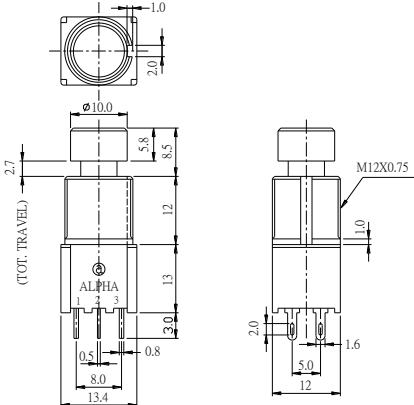


SF12 Series


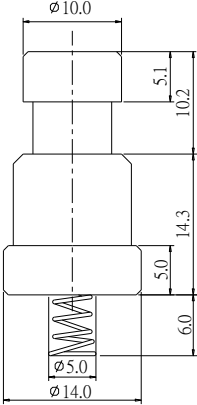
Order Code	Outline Drawing
SF12020F-0102-20R-L-011 SF12020DF-0102-20R-L-011 	 <p>SCHEMATIC</p> <p>PUSH 1-2 ON</p> <p>PUSH 2-3 ON</p> 
SF12020F-0102-20R-M-011 SF12020DF-0102-20R-M-011 	 <p>SCHEMATIC</p> <p>PUSH 1-2 ON</p> <p>FREE 2-3 ON</p> 
SF12011F-0202-20R-L-011 SF12011DF-0202-20R-L-011 	 <p>SCHEMATIC</p> <p>PUSH 1-2 ON</p> <p>PUSH 2-3 ON</p> 
SF12011F-0202-20R-M-011 SF12011DF-0202-20R-M-011 	 <p>SCHEMATIC</p> <p>PUSH 1-2 ON</p> <p>FREE 2-3 ON</p> 

[Back to top](#)

SF12 Series

Order Code	Outline Drawing
SF12020F-0202-20R-L-011 SF12020DF-0202-20R-L-011 	 <div data-bbox="1198 568 1331 651" style="float: right;"> <p>SCHEMATIC</p> <p>PUSH 1-2 ON</p> <p>PUSH 2-3 ON</p> </div>
SF12020F-0202-20R-M-011 SF12020DF-0202-20R-M-011 	 <div data-bbox="1198 1001 1331 1084" style="float: right;"> <p>SCHEMATIC</p> <p>PUSH 1-2 ON</p> <p>FREE 2-3 ON</p> </div>

****The below item is not applicable with above normal specification of SF12011F/SF12020F****

Order Code	Outline Drawing
SF12030F SF12030DF 	

Design and specifications presented here are for the standard parts only. Please kindly contact us for your special requests and ask for the current technical specifications before purchase and/or use.

[Back to top](#)