

SF17 Series

Application

- ✓ Musical instruments, Industrial control, and others

Feature

- ✓ Durable structure which available with 3PDT operation.

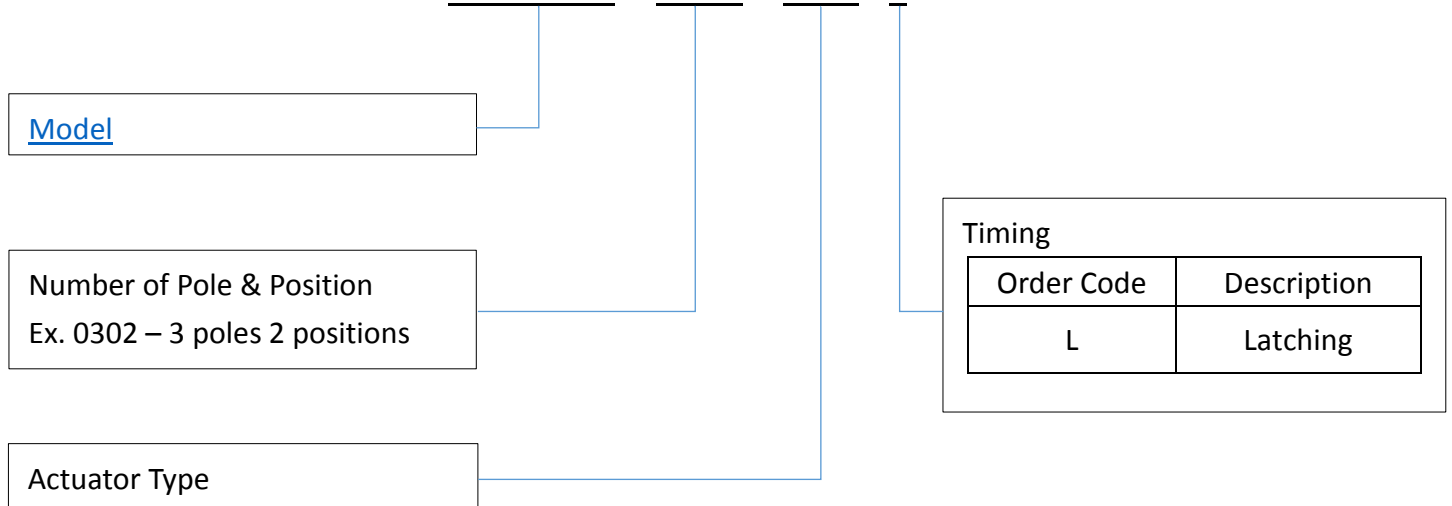


■Specification

Rating	9V DC 1A
Withstand Voltage	500V AC (50-60 Hz, 2 mA) - 1 minute
Contact Resistance	Initial : <30 mΩ ; After test : <100 mΩ
Insulation Resistance	Initial : >100MΩ ; After humidity test: >50 MΩ
Operating Force	Initial: 3.0 ± 0.8 kgf.cm; After durability test: 3.0 ± 1.0 kgf.cm
Operating Life Cycle	30,000 cycles

■How to order


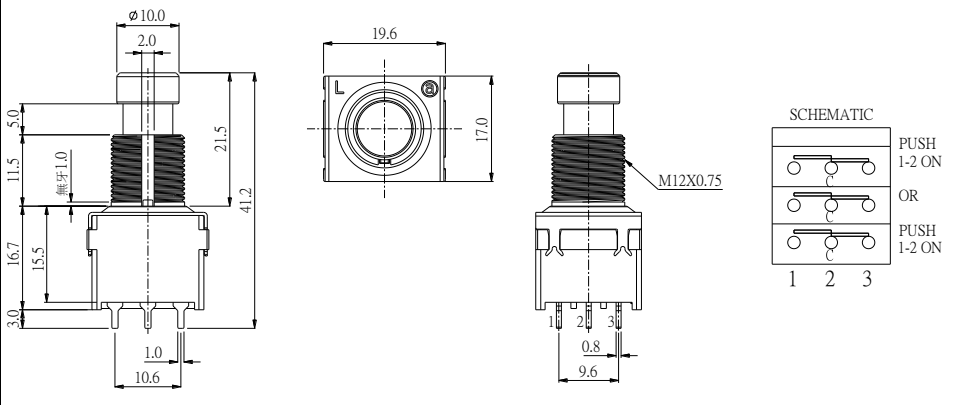

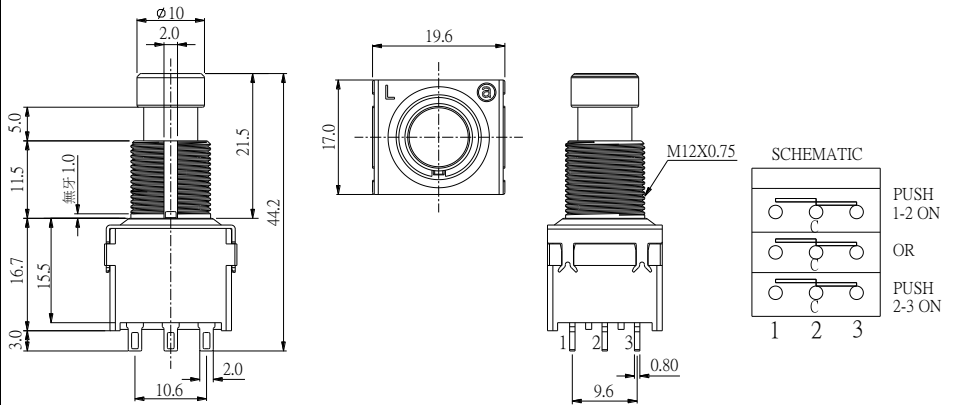
SF17010F – 0302 – 21R – L



SF17 Series

Model Description

Model	Terminal Type	Pole	Position	Timing
SF17010F-0302	PCB	3	2	Latching
SF17020F-0302	Soldering	3	2	

Order Code	Outline Drawing
SF17010F-0302-21R-L 	 <p>Technical drawing details for SF17010F-0302-21R-L: - Dimensions: $\phi 10.0$, 2.0, 5.0, 11.5, 16.7, 15.5, 3.0, 1.0, 10.6, 21.5, 41.2, 19.6, 17.0, 9.6, 0.8. - Thread: M12X0.75 - Schematic: PUSH 1-2 ON (OR) PUSH 1-2 ON. Terminals 1, 2, 3.</p>
SF17020F-0302-21R-L 	 <p>Technical drawing details for SF17020F-0302-21R-L: - Dimensions: $\phi 10$, 2.0, 5.0, 11.5, 16.7, 15.5, 3.0, 10.6, 2.0, 21.5, 44.2, 19.6, 17.0, 9.6, 0.80. - Thread: M12X0.75 - Schematic: PUSH 1-2 ON (OR) PUSH 2-3 ON. Terminals 1, 2, 3.</p>

Design and specifications presented here are for the standard parts only. Please kindly contact us for your special requests and ask for the current technical specifications before purchase and/or use.

[Back to top](#)