
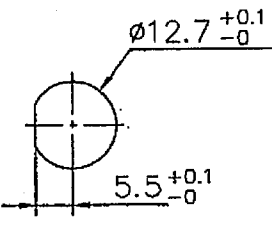
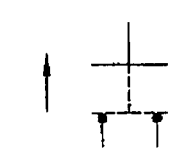
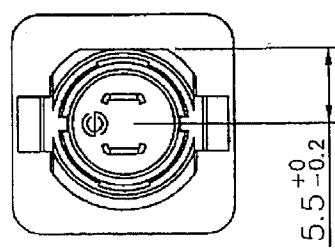
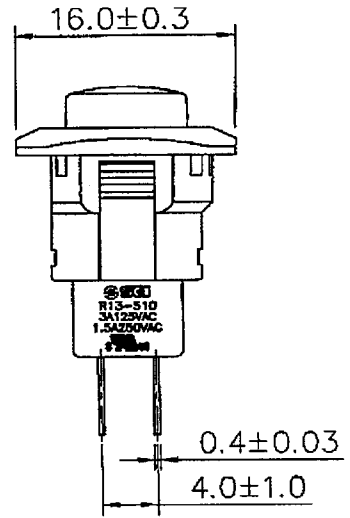
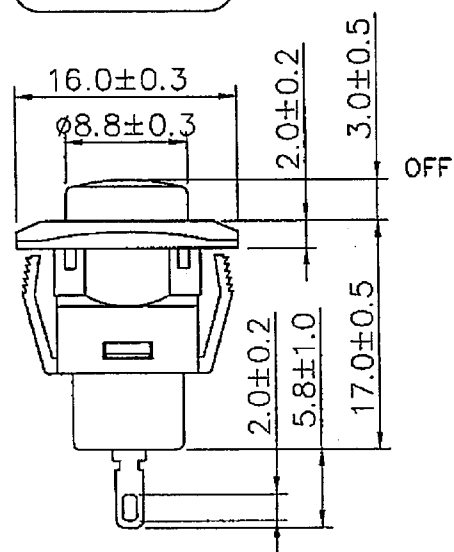
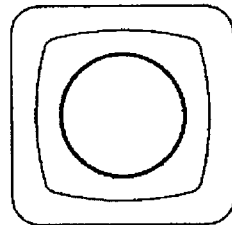
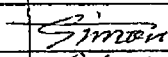
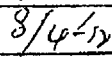


Rating	3A 125V AC 1.5A 250V AC 		
Contact Resistance	50m ohm Max		
Insulation Resistance	DC 500V 100 ohm Min		
Dielectric Strength	AC 1000V 1minute		
Switch Function	2P SPST OFF-(ON)		



d:\projects\R13-510改善案

2010/10/13	徐洲迎	本體與底座改卡扣式新結構設計					△
Date	Name	Description					No.
Drawn	Checked	Approved	SCI BOM No.	Model Name	PUSH SWITCH		REV
徐洲迎			Customer No.	Model No.	R13-510A-05		
8/3/12			Unit	mm	Shin Chin Industrial Co., Ltd.		1