

Order code	Manufacturer code	Description
78-1699	MPI002/28/RD	RING ILLUMINTD VANDAL SWITCH TAB RED RC
78-1747	MPI002/TERM/RD	RING ILLUMIN VANDAL SWITCH SCREW RED RC
78-1694	MPI001/TERM/GN	DOT ILLUMIN VANDAL SWITCH SCREW GREEN RC
78-1746	MPI002/TERM/GN	RING ILLUMIN VNDAL SWITCH SCREW GREEN RC
78-1748	MPI002/TERM/AM	RING ILLUMIN VANDAL SWITCH SCREW AMB RC
78-1689	MPI001/28/BL	DOT ILLUMINATED VANDAL SWITCH BLUE RC
78-1690	MPI001/28/GN	DOT ILLUMINATED VANDAL SWITCH GREEN RC
78-1691	MPI001/28/RD	DOT ILLUMINATED VANDAL SWITCH TAB RED RC
78-1745	MPI002/TERM/BL	RING ILLUMIN VANDAL SWITCH SCREW BLUE RC
78-1693	MPI001/TERM/BL	DOT ILLUMIN VANDAL SWITCH SCREW BLUE RC
78-1692	MPI001/28/AM	DOT ILLUMINATED VANDAL SWITCH AMBER RC
78-1695	MPI001/TERM/RD	DOT ILLUMIN VANDAL SWITCH SCREW RED RC
78-1698	MPI002/28/GN	RING ILLUMIN VANDAL SWITCH TAB GREEN RC
78-1744	MPI002/28/AM	RING ILLUMIN VANDAL SWITCH TAB AMBER RC

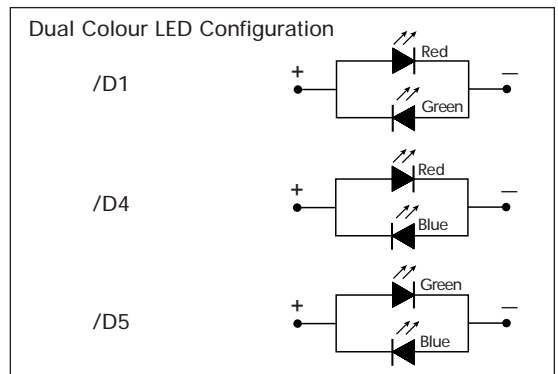
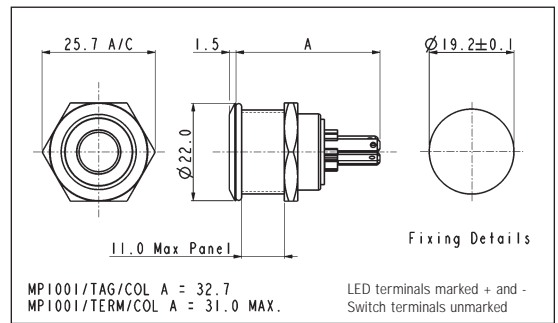
	Page 1 of 3
The enclosed information is believed to be correct, Information may change without notice due to product improvement. Users should ensure that the product is suitable for their use. E. & O. E.	Revision A 20/02/2007

Stainless Steel Illuminated Vandal Resistant

FRONT PANEL MOUNTING



- Dot Illuminated
- 22mm diameter
- S.P. Push to Make
- 50mA, 24V dc contact rating
- Red, Green, Amber, Blue, White or Dual Colour Illumination
- Bright Daylight LEDs
- Separate LED Terminals



Specification	MPI001/Termination/Colour
Terminations:	/28 (2.8mm tabs), /Term (screw terminals)
Switching:	S.P. Push to make, tactile
Max. Switch Rating:	50mA, 24V d.c.
LEDs (ratings @ 20mA)	
Colours	Red Green Amber Blue White Red / Green Red / Blue Blue / Green
Luminous Intensity	900mcd 2500mcd 900mcd 1500mcd 900mcd 2500mcd 5000mcd 2000mcd 850mcd 2000mcd 4000mcd
Forward Voltage*	1.85V 3.5V 2.3V 3.5V 3.6V 2.05V 3.6V 2.0V 3.6V 3.6V 3.6V
Forward Current	20mA 20mA 20mA 20mA 20mA 20mA 20mA 20mA 20mA 20mA
Part No.	/RD /GN /AM /BL /WH /D1 /D4 /D5
	*An appropriate resistor must be series connected by the user
Contact Resistance:	<100mΩ
Insulation Resistance:	>10 <sup>3</sup> MΩ
Dielectric Strength:	Contact to Panel >2.0kV Contact to Contact 1500V
Operating Temp. Range:	-30°C to +70°C
Sealing (Front of panel only):	Protection Classification: IP66 EN60529 1992
Operations	
Mechanical:	750,000 (min)
Electrical:	35,000 (min)
Operating Pressure:	12N
Rear Nut Fixing Torque:	0.57Nm
Materials	
Switch assembly:	UL94V-0 rated Polyamide (Nylon)
Tags:	Copper Alloy
Terminals:	Copper Alloy
Switch Body & Button:	Stainless Steel
Lens and Lens Body:	Polycarbonate
O ring:	Nitrile
Internal seal:	Silicone
Contact Plate:	Gold Plated
	ESD Handling precautions must be taken
	Compliant

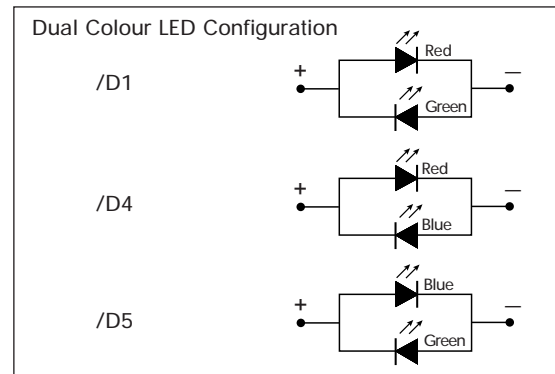
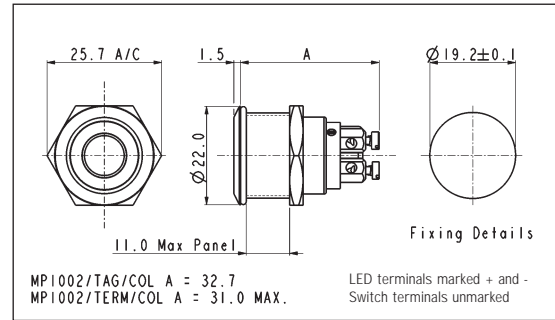


## Stainless Steel Illuminated Vandal Resistant

### FRONT PANEL MOUNTING



- Ring Illuminated
- 22mm diameter
- S.P. Push to Make
- 50mA, 24V dc contact rating
- Red, Green, Amber, Blue, White or Dual Colour Illumination
- Bright Daylight LEDs
- Separate LED Terminals



Specification	MPI002/Termination/Colour
Terminations:	/28 (2.8mm tabs), /Term (screw terminals)
Switching:	S.P. Push to make, tactile
Max. Switch Rating:	50mA, 24V d.c.
LEDs (ratings @ 20mA)	
Colours	Red Green Amber Blue White Red / Green Red / Blue Blue / Green
Luminous Intensity	900mcd 2500mcd 900mcd 1500mcd 900mcd 2500mcd 5000mcd 2000mcd 850mcd 2000mcd 4000mcd
Forward Voltage*	1.85V 3.5V 2.3V 3.5V 3.6V 2.05V 3.6V 2.0V 3.6V 3.6V 3.6V
Forward Current	20mA 20mA 20mA 20mA 20mA 20mA 20mA 20mA 20mA 20mA
Part No.	/RD /GN /AM /BL /WH /D1 /D4 /D5
	*An appropriate resistor must be series connected by the user
Contact Resistance:	<100mΩ
Insulation Resistance:	>10 <sup>3</sup> MΩ.
Dielectric Strength:	Contact to Panel >2.0kV Contact to Contact 1500V
Operating Temp. Range:	-30°C to +70°C
Sealing (Front of panel only):	Protection Classification: IP66 EN60529 1992
Operations	
Mechanical:	750,000 (min)
Electrical:	35,000 (min)
Operating Pressure:	12N
Rear Nut Fixing Torque:	0.57Nm
Materials	
Switch assembly:	UL94V-0 rated Polyamide (Nylon)
Tags:	Copper Alloy
Terminals:	Copper Alloy
Switch Body & Button:	Stainless Steel
Lens and Lens Body:	Polycarbonate
O ring:	Nitrile
Internal seal:	Silicone
Contact Plate:	Gold Plated
	ESD Handling precautions must be taken
	Compliant

