

## Control Stations and Switches

Order code	Manufacturer code	Description
78-3730	n/a	CONTACT BLOCKS NORMALLY OPEN (RE)
78-3732	n/a	CONTACT BLOCKS NORMALLY CLOSED (RE)

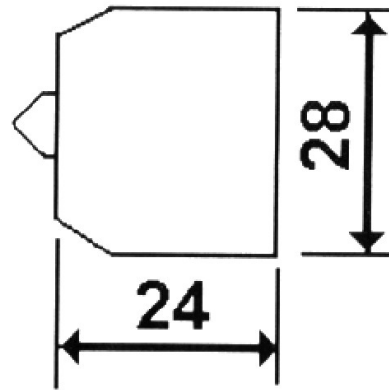
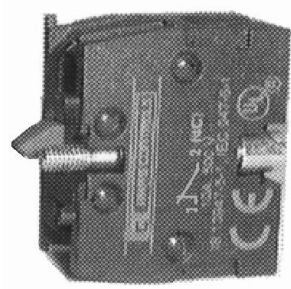
Control Stations and Switches	Page 1 of 3
The enclosed information is believed to be correct, Information may change without notice due to product improvement. Users should ensure that the product is suitable for their use. E. & O. E.	Revision A 20/02/2007

# Switches

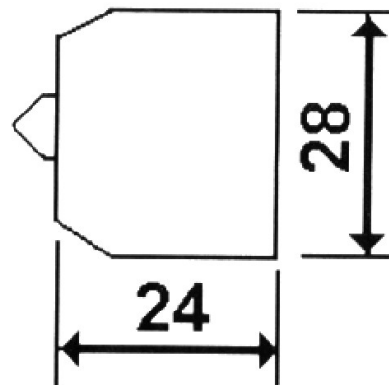
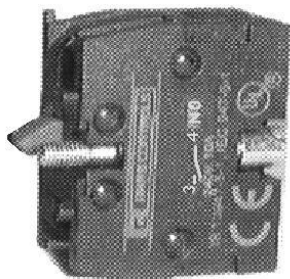
## Contact Blocks

Manufacturers Code	Colour
RAS-CBNO	Normally Open
RAS-CBNC	Normally Closed

### Normally Open

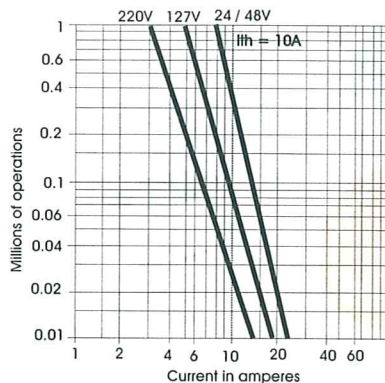


### Normally Closed



# Contact Elements Characteristics

Rated Thermal Current	$I_{th}$ 10A								
Rated Insulation Voltage	$U_i$ 500V conforming to IEC 947, UL 508 & CSA 22-2 n° 14								
Insulation Category	Group C conforming to NF C 20-040, VDE 0110								
Operating Force	Push Buttons - 1 'NO' = 10N, 1 'NC' = 8N Additional contacts - 'NO' = +5N, 'NC' = +3N								
Dielectric Strength	2.5KV for 1 minute								
Insulation Resistance	2M Ohm min (500 VDC)								
Initial Contact Resistance	$\leq$ 25 milli Ohm								
Short Circuits Protection	10A 500V, Cartridge Fuse g1 or N conforming to IEC 337-1								
Terminal Reference	Conforming to CENELEC EN 50013								
Connections	On Screw with non loosable plate lamp Sec. 2.5mm <sup>2</sup> max. (14 AWG)								
Contact Operation	Self Cleaning type, Slow action, Positive Opening								
Operation Frequency	3600 Operations per hour								
Utilization Category	AC 15 (DC 13)								
Rated Power	DC Supply								
Conforming to IEC 947-5-1	Power broken in watts								
Load factor : 0.5	for 1 million operations								
AC Supply (50/60 Hz)	<table border="1"> <tr> <td>Voltage</td> <td>24V</td> <td>48V</td> <td>120V</td> </tr> <tr> <td>Inductive Load</td> <td>65W</td> <td>48W</td> <td>40W</td> </tr> </table>	Voltage	24V	48V	120V	Inductive Load	65W	48W	40W
Voltage	24V	48V	120V						
Inductive Load	65W	48W	40W						



AC Ratings, Inductive - NEMA A600  
35% Power Factor

Volts	Make Amperes	VA	Break Amperes	VA	Continuous carrying Amperes	Resistive 75% Power factor Make, Break & continuous Amperes
120	60	7200	6	720	10	10
240	30	7200	3	720	10	10
480	15	7200	1.5	720	10	10
600	12	7200	1.2	720	10	10

DC Ratings, NEMA Type Q600  
Inductive and resistive

Volts	Make & Break	Continuous
125	55	2.5
250	0.27	2.5
600	0.10	2.5