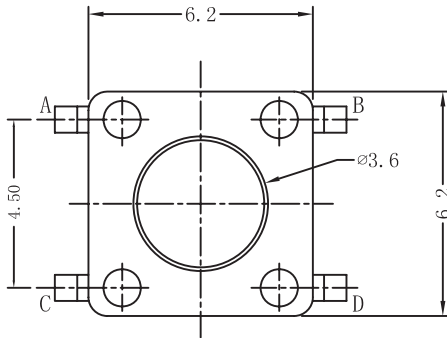
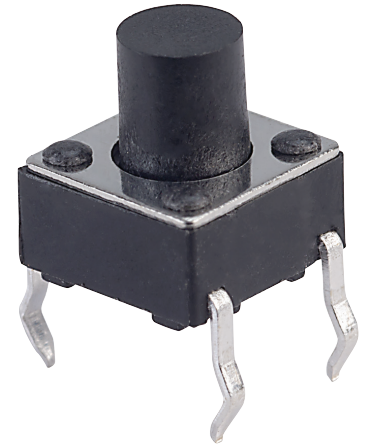




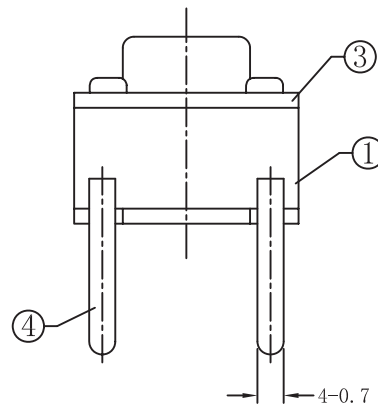
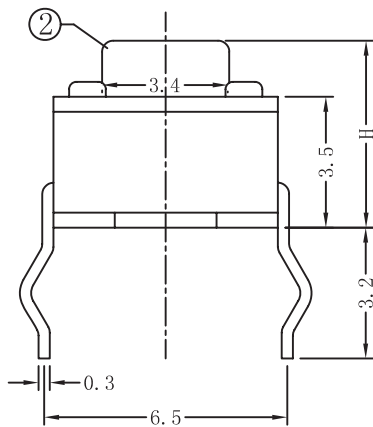
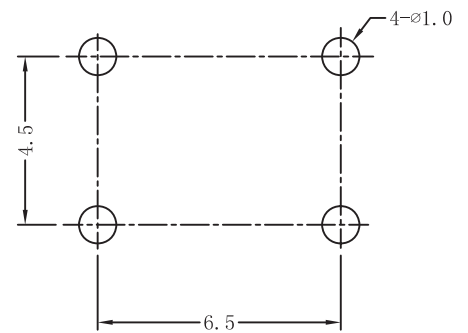
Tactile Switch 6x6mm Height 7mm

Order code: **78-3804**

No.	Description	Qty.	Material	Plating
1	Housing	1	PBT	
2	Button	1	PBT	
3	Cover	1	Brass	Ni-plating
4	Contact foot	4	Brass	Ag-plating



P.C.B LAYOUT
TOP VIEW



SCHEMATIC

