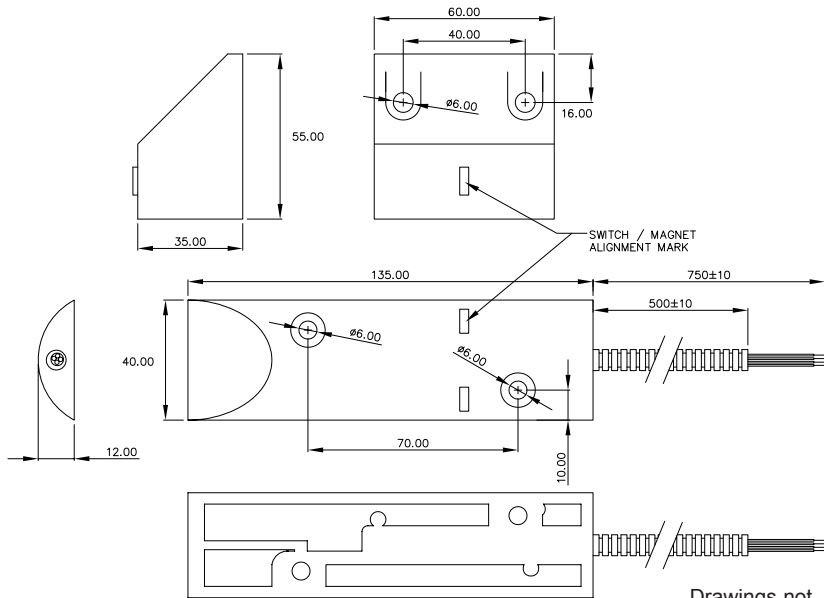


PICTURE	DIMENSIONS
---------	------------



Drawings not to scale
All dimensions in mm nominal

✓RoHS Compliant

SPECIFICATION		
---------------	--	--

Contact Form / Style	Normally Open + Supervisory loop	
Grade	2	
Operating Distance	Millimetres	55
Switching Voltage	Max Volts AC/DC	50
Switching Current	Max Amps	0.5
Carry Current	Max Amps	1.0
Power	Max W/VA	10
Insulation Resistance	Max MOhms	100
Contact Resistance	Max mOhms	150
Operating Temperature	Celsius	- 20° to 85°
Case Material	Cast Aluminium	

Applications Include

- Shutter door alarm.
- Lorry Goods doors.
- Gate Automation.
- Safety Door Guards.

Options

- Various operating distances available.
- Normally closed and Change over types available.
- Custom cable types, non armoured cable, cable lengths, connectors or crimp terminals.
- If you do not see what you need, just ask, as there is a strong possibility we can do it !

Did you know we also sell?



Rev. No.	Revision Note	Date	Signature
1	Datasheet	01-07-15	ML



As part of the company policy of continued product improvement, specifications may change without notice. Our sales office will be pleased to help you with the latest information on this product range and the details of our full design and manufacturing service. All products are supplied to our standard conditions of sale unless otherwise agreed in writing.

Phone : +44 (0)1255 862236 www.comus-intl.com Fax: +44 (0)1255 862014