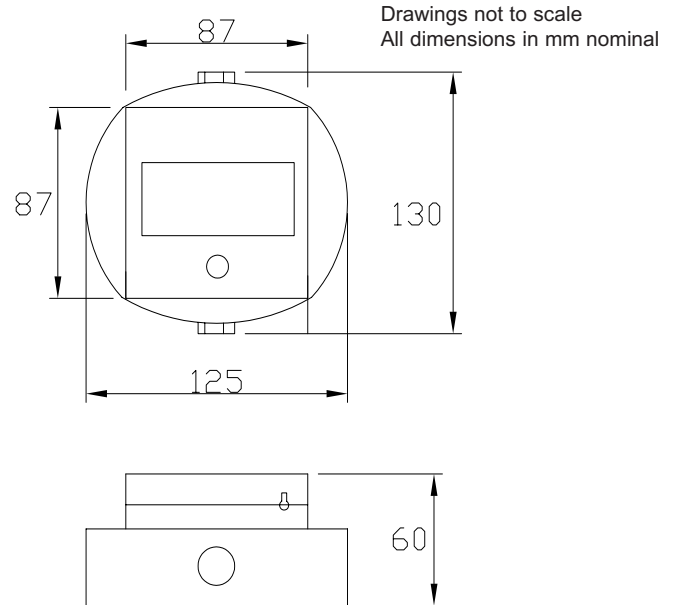


PICTURE



DIMENSIONS



SPECIFICATION

- Resettable break plate insert.
- Triple pole.
- Surface mount
- Without LED
- Waterproof
- CP004 replacement plates available 10 pack

Features

- Easy glass resetting.
- Dual key, test and open front cover.
- 15mm cable entry hole
- Slotted mounting holes for easy alignment.

Options

- Other colours available.
- Single, Double and Quadruple pole types available.
- Key only reset types
- LED indicator models available

Did you know we also sell?



Rev. No.

Revision Note

Date

Signature

1

Datasheet

30-09-15

ML



ISO 9001:2008
Certificate No. FM21080

As part of the company policy of continued product improvement, specifications may change without notice. Our sales office will be pleased to help you with the latest information on this product range and the details of our full design and manufacturing service. All products are supplied to our standard conditions of sale unless otherwise agreed in writing.

Phone : +44 (0)1255 862236

www.comus-intl.com

Fax: +44 (0)1255 862014

©2015 Copyright Comus Europe Ltd, Unit 7, Rice Bridge Industrial Estate, Thorpe - Le - Soren, Essex, CO16 0HL, ENGLAND.
 USA: Comus International: +1 973 777 6900, Belgium: Comus Belgium BVBA: +32 (0)12 390400