

Keypad, key & rotary switches

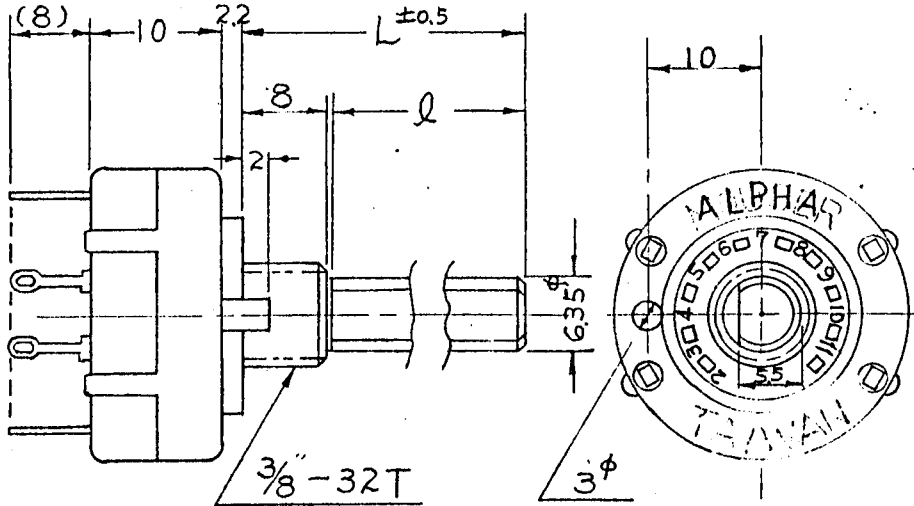
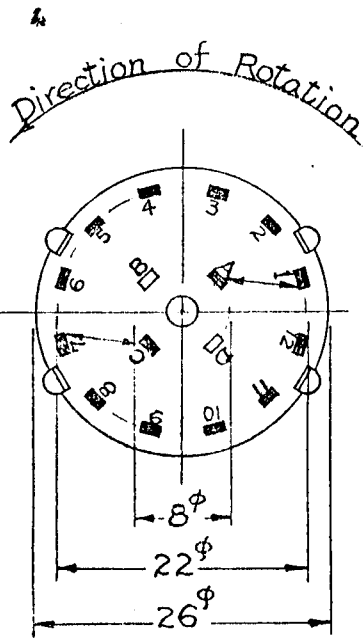
Order code	Manufacturer code	Description
79-0105	n/a	2 POLE 6 WAY ROTARY SWITCH (RC)

Keypad, key & rotary switches	Page 1 of 2
The enclosed information is believed to be correct, Information may change 'without notice' due to product improvement. Users should ensure that the product is suitable for their use. E. & O. E.	Revision A 04/07/2003

ROTARY SWITCH

SPECIFICATIONS

Rating	AC110V 0.35A
Contact Resistance	20 M ohm Max.
Insulation Resistance	DC500V - 100 M ohm Min.
Withstand Voltage	AC500V - 1 Minute
Rotation Torque	1 +/- 0.5 Kg/cm.
Sizes (m.m)	As following Drawings



	l	L
38F	30	38
18F	10	18
21F	13	21

Note: - 1) Tolerances unless otherwise specified +/- 0.4mm
 2) Accessory parts : $\frac{3}{8}$ hexagon nut one piece & lockwasher one piece.