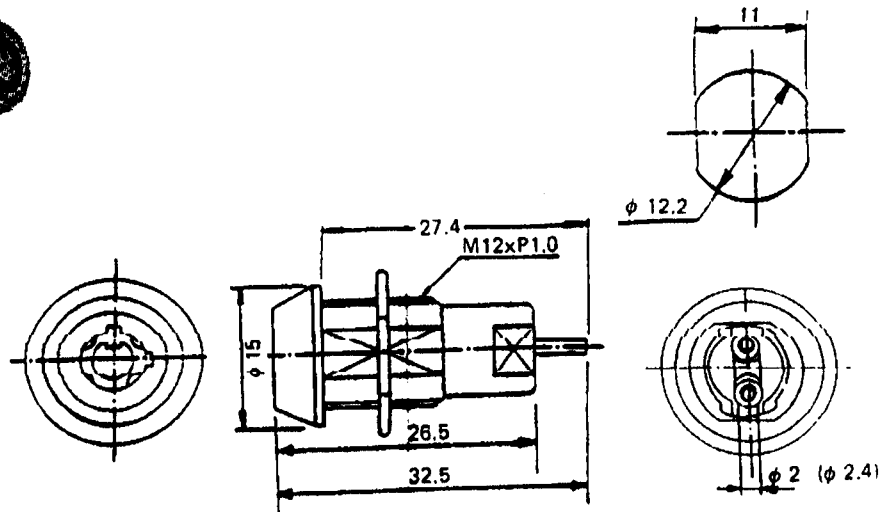
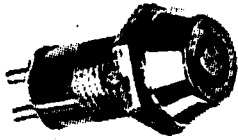


Keypad, key & rotary switches

Order code	Manufacturer code	Description
79-0295	n/a	COMMON KEY OPERATED SWITCH (RC)
79-0300	n/a	RANDOM KEY OPERATED SWITCH (RC)

Keypad, key & rotary switches	Page 1 of 2
The enclosed information is believed to be correct, Information may change without notice due to product improvement. Users should ensure that the product is suitable for their use. E. & O. E.	Revision A 20/02/2007



SPECIFICATIONS

1. All zinc body and core, in chrome plating.
2. With 2 tubular keys and 1 fixing nut.
3. Off/On (2 positions)
4. Contact Rating: 2A 125VAC 1A 250VAC.
5. Contact Resistance: 10 Milli-Ohms max.
6. Insulation Resistance: 500 Meg-Ohms min.
7. Dielectric Strength: 1000 VAC 1 minute
8. Material = Brass