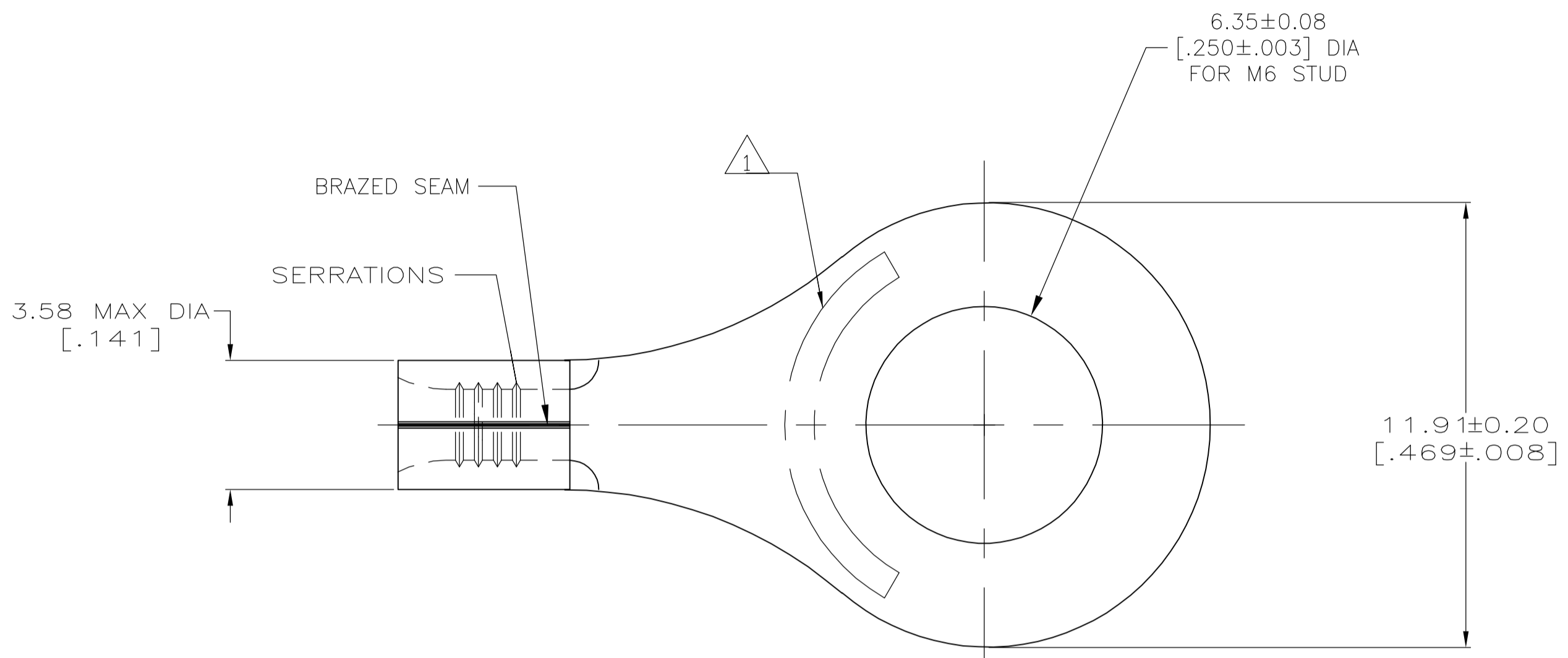
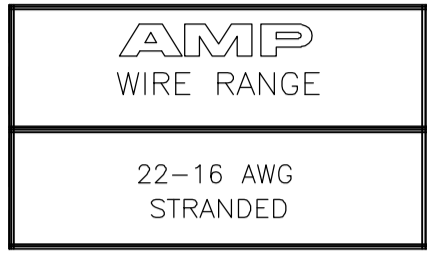
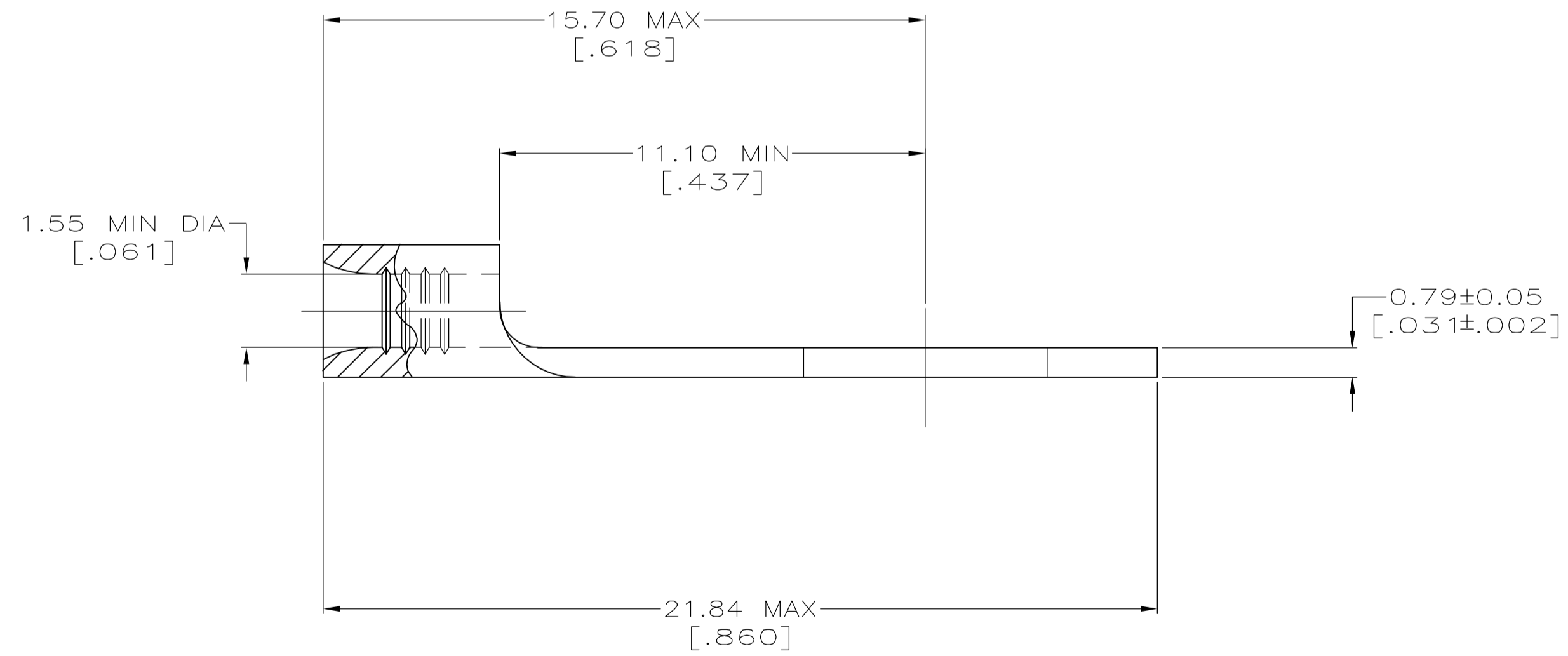


THIS DRAWING IS UNPUBLISHED. RELEASED FOR PUBLICATION  
 © COPYRIGHT BY TYCO ELECTRONICS CORPORATION. ALL RIGHTS RESERVED.

| LOC |     | DIST        |                       | REVISIONS |     |      |  |
|-----|-----|-------------|-----------------------|-----------|-----|------|--|
| P   | LTR | DESCRIPTION |                       | DATE      | DWN | APVD |  |
| G   | 14  | A1          | REV PER ECR 06-011374 | 19MAY06   | JR  | TM   |  |



- 1 STAMP "AMP 22-18\*" APPROX AS SHOWN, 22-16 TERMINALS ARE STAMPED 22-18 IN ACCORDANCE WITH MILITARY SPECIFICATION MIL-T-7928, COMMERCIAL WIRE RANGE IS 22-16.
- 2 MATERIAL: COPPER PER ASTM B-152, ANNEALED.
- 3 0.00254 [0.00100] MIN TIN PLATE PER ASTM B-545
- 4 MAX RECOMMENDED OPERATING TEMP 170°C MAX
- 5 0.26-1.65mm<sup>2</sup> [509-3,260] CMA, STRANDED



|                |         |
|----------------|---------|
| LOOSE PIECE    | 130058  |
| PACKAGING TYPE | PART NO |

|  |  |              |               |         |   |
|--|--|--------------|---------------|---------|---|
| THIS DRAWING IS A CONTROLLED DOCUMENT.                                       |  | DWN          | jr ruth       | 19MAY06 | <br>Tyco Electronics Corporation<br>Harrisburg, PA 17105-3608 |
| DIMENSIONS: MM [INCHES]  |  | CHK          | T MICHIELUTTI | 19MAY06 |   |
| TOLERANCES UNLESS OTHERWISE SPECIFIED:                                       |  | APVD         | T MICHIELUTTI | 19MAY06 |   |
| 0 PLC ± -<br>1 PLC ± -<br>2 PLC ± -<br>3 PLC ± -<br>4 PLC ± -<br>ANGLES ± 5° |  | PRODUCT SPEC | NAME          |         |   |
| MATERIAL   |  | FINISH       |               | APVD    | PRODUCT SPEC  |
| -  |  | -            |               | APVD    | APPLICATION SPEC  |
| -  |  | -            |               | APVD    | WEIGHT  |
| -  |  | -            |               | APVD    | SIZE  |
| -  |  | -            |               | APVD    | CAGE CODE   |
| -  |  | -            |               | APVD    | DRAWING NO  |
| -  |  | -            |               | APVD    | RESTRICTED TO   |
| -  |  | -            |               | APVD    | SCALE   |
| -  |  | -            |               | APVD    | SHEET   |
| -  |  | -            |               | APVD    | REV   |
| -  |  | -            |               | APVD    |   |

130058

A

## Ring Tongue Terminals

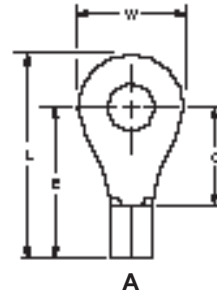
### Wire Size Range

AWG 26 to 16,  
CMA 202 to 3,260  
[0.1 to 1.65 mm<sup>2</sup>]

### Material

**Terminal Body** — Copper per  
ASTM B-152

**Plating** — Tin per MIL-T-10727



| Wire Size<br>Circular Mills<br>[mm <sup>2</sup> ] | Stud<br>Size | Style         | Dimensions    |               |              |              | Material<br>Thickness<br>Max. | Wire Barrel I.D. Min. |                      | Part Numbers         |                    |
|---|--------------|---------------|---------------|---------------|--------------|--------------|-------------------------------|-----------------------|----------------------|----------------------|--------------------|
|   |              |               | L<br>Max.     | E<br>Max.     | C<br>Min.    | W            |                               | Solistrand            | Budget               | Solistrand           | Budget             |
| 26-22<br>202-810<br>[0.1-0.41]                    | 0            | A             | .329<br>8.36  | .256<br>6.50  | .121<br>3.07 | .140<br>3.56 | .020<br>0.51                  | —                     | .035<br>0.89         | —                    | 31423              |
|   |              | A             | .329<br>8.36  | .256<br>6.50  | .121<br>3.07 | .140<br>3.56 | .020<br>0.51                  | —                     | .035<br>0.89         | —                    | 31425<br>2-31425-2 |
|   | 2<br>M2      | A             | .450<br>11.43 | .346<br>8.79  | .211<br>5.36 | .203<br>5.16 | .020<br>0.51                  | —                     | .035<br>0.89         | —                    | 33695              |
|   |              | A             | .419<br>10.64 | .346<br>8.79  | .211<br>5.36 | .140<br>3.56 | .020<br>0.51                  | .031<br>0.79          | .035<br>0.89         | 50334*               | 322771             |
|   | 4            | A             | .450<br>11.43 | .346<br>8.79  | .211<br>5.36 | .203<br>5.16 | .020<br>0.51                  | —                     | .035<br>0.89         | —                    | 31428              |
|   |              | A             | .450<br>11.43 | .346<br>8.79  | .211<br>5.36 | .203<br>5.16 | .020<br>0.51                  | —                     | .035<br>0.89         | —                    | 31430              |
|   | 6<br>M3.5    | A             | .544<br>13.82 | .416<br>10.57 | .281<br>7.14 | .250<br>6.35 | .020<br>0.51                  | .031<br>0.79          | .035<br>0.89         | 331401<br>1-331401-1 | 32858              |
|   |              | A             | .544<br>13.82 | .416<br>10.57 | .281<br>7.14 | .250<br>6.35 | .020<br>0.51                  | —                     | .035<br>0.89         | —                    | 32859              |
|   | 8            | A             | .544<br>13.82 | .416<br>10.57 | .281<br>7.14 | .250<br>6.35 | .020<br>0.51                  | —                     | .035<br>0.89         | —                    | 32860              |
|   |              | A             | .449<br>11.40 | .337<br>8.56  | .156<br>3.96 | .218<br>5.54 | .033<br>0.84                  | —                     | .065<br>1.65         | —                    | 31087              |
|   | 1            | A             | .449<br>11.40 | .337<br>8.56  | .156<br>3.96 | .218<br>5.54 | .033<br>0.84                  | —                     | .065<br>1.65         | —                    | 31088              |
|   |              | A             | .446<br>11.33 | .353<br>8.97  | .172<br>4.37 | .182<br>4.62 | .033<br>0.84                  | .061<br>1.55          | .065<br>1.65         | 34103<br>2-34103-1   | 31088              |
| 2<br>M2   | A            | .446<br>11.33 | .353<br>8.97  | .172<br>4.37  | .182<br>4.62 | .033<br>0.84 | .061<br>1.55                  | .065<br>1.65          | 322927               | 320677               |                    |
|   | A            | .449<br>11.40 | .337<br>8.56  | .156<br>3.96  | .218<br>5.54 | .033<br>0.84 | .061<br>1.55                  | .065<br>1.65          | 34104*<br>2-34104-6  | 31089<br>3-31089-6   |                    |
| 4   | A            | .446<br>11.33 | .353<br>8.97  | .172<br>4.37  | .182<br>4.62 | .033<br>0.84 | .061<br>1.55                  | .065<br>1.65          | 36467*               | 36189<br>2-326850-1  |                    |
|   | A            | .621<br>15.77 | .462<br>12.52 | .281<br>7.92  | .312<br>6.35 | .033<br>0.84 | .061<br>1.55                  | .065<br>1.65          | 323096<br>2-323096-2 | 322418               |                    |
| 5<br>M3   | A            | .449<br>11.40 | .337<br>8.56  | .156<br>3.96  | .218<br>5.54 | .033<br>0.84 | —                             | .065<br>1.65          | —                    | 31090<br>2-31090-1   |                    |
|   | A            | .449<br>11.40 | .337<br>8.56  | .156<br>3.96  | .218<br>5.54 | .033<br>0.84 | .061<br>1.55                  | .065<br>1.65          | 34105*<br>2-34105-2  | 31091                |                    |
| 6<br>M3.5   | A            | .528<br>13.41 | .416<br>10.57 | .281<br>3.96  | .218<br>5.54 | .033<br>0.84 | .061<br>1.55                  | .065<br>1.65          | 34194                | 31101                |                    |
|   | A            | .574<br>14.58 | .436<br>11.07 | .250<br>6.35  | .281<br>7.14 | .033<br>0.84 | .061<br>1.55                  | .065<br>1.65          | 34107*<br>2-34107-2  | 31264                |                    |
| 8<br>M4   | A            | .621<br>15.77 | .462<br>11.73 | .281<br>7.14  | .312<br>7.92 | .033<br>0.84 | .061<br>1.55                  | .065<br>1.65          | 34110*<br>2-34110-3  | 30691*<br>1-30691-1  |                    |
|   | A            | .653<br>16.59 | .478<br>12.14 | .297<br>7.54  | .344<br>8.74 | .033<br>0.84 | —                             | .065<br>1.65          | —                    | 32822                |                    |
| 8<br>M4   | A            | .621<br>15.77 | .462<br>11.73 | .281<br>7.14  | .312<br>7.92 | .033<br>0.84 | .061<br>1.55                  | .065<br>1.65          | 34111*<br>2-34111-3  | 30692                |                    |
|   | A            | .574<br>14.58 | .436<br>11.07 | .250<br>6.35  | .281<br>7.14 | .033<br>0.84 | .061<br>1.55                  | .065<br>1.65          | 34108*<br>2-34108-2  | 31265*               |                    |
| 8<br>M4   | A            | .653<br>16.59 | .478<br>12.14 | .297<br>7.54  | .344<br>8.74 | .033<br>0.84 | .061<br>1.55                  | .065<br>1.65          | 323086               | 32823                |                    |

**Note:** Part numbers are shown as loose piece over tape mounted product.

\*Part numbers are available in small quantity packages.