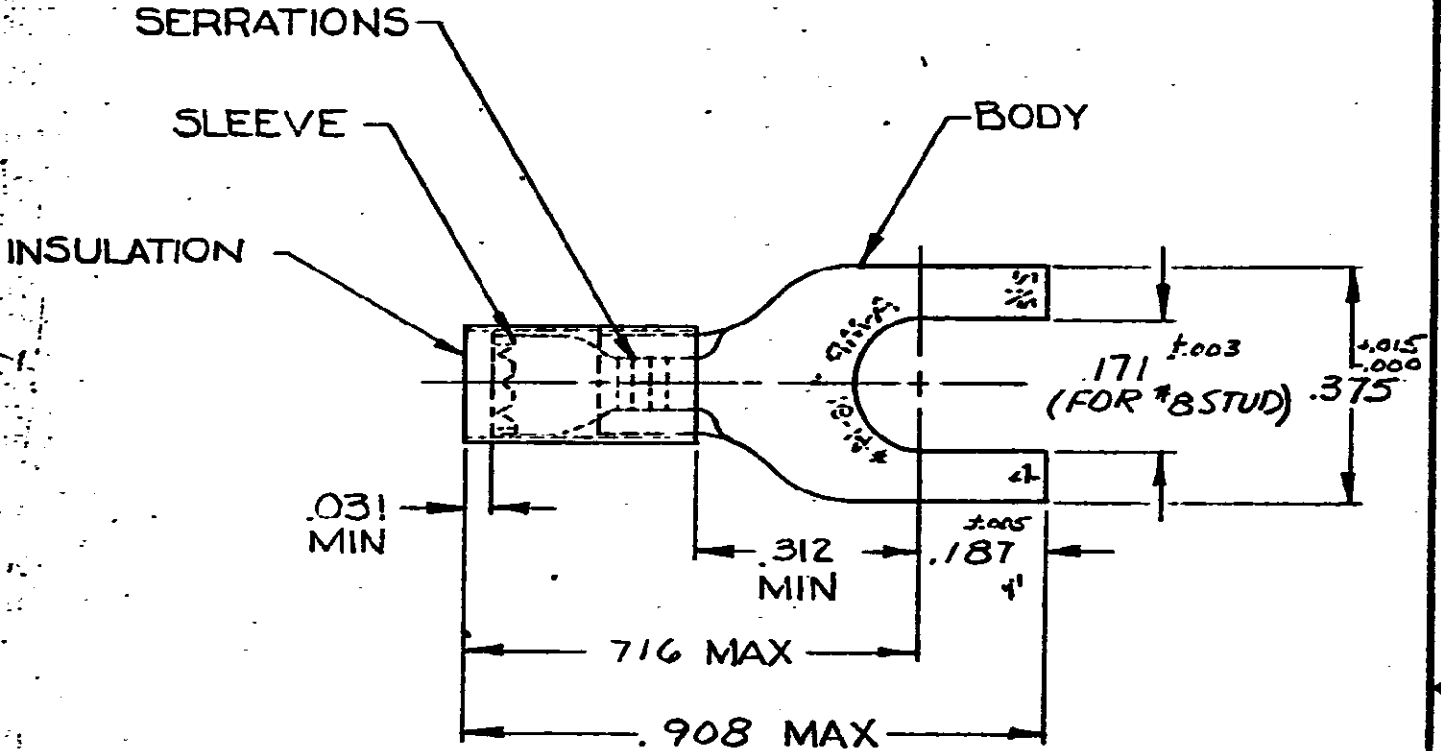


DRAWING MADE IN AMERICAN PROJECTION

LOC 5 14 PRINT-CAST

REVISIONS			
LTR	DESCRIPTION	DATE	APPROVED
C1	REVISED PER ECO-11-005294	13APR11	HMR



TONGUE MATERIAL THK = .031<sup>±.002</sup>  
 FOR .115 TO .170 WIRE INSULATION DIA

QTY	DESCRIPTION	PART NO
100	LOOSE PC, BOX	8-32059-1

1	32059 ON TAPE	2-32059-1	BODY: COPPER (QQ-C-576) TIN PL (MIL-T-10727)
1	WIRE TERMINAL	32059	SLEEVE: COPPER (QQ-C-576) INSULATION: NYLON COLOR: BLUE
QTY	DESCRIPTION	PART NO	MATERIAL & FINISH

UNLESS OTHERWISE SPECIFIED DIMENSIONS ARE IN INCHES  
 TOLERANCES ON:  
 DECIMALS ±.008  
 ANGLES ±5°

MATERIAL  
 SEE TABLE

CONTRACT NO.	#
DR.	M. E. Enos 2-12-70
CHK	R. C. H. 3-16-70
APPD	J. W. 3-16-70
REL	R. C. H. 3-17-70
DSGN APPD	//
OTHER APPD	

**TE** TE Connectivity

NAME  
 WIRE TERMINAL  
 P.I.D.G. - SPADE  
 WIRE SIZE: 16-14

SIZE	CODE IDENT NO.	NUMBER
A	00779	32059

SCALE NTS SHEET 1 OF 1  
 CUSTOMER-DRAWING