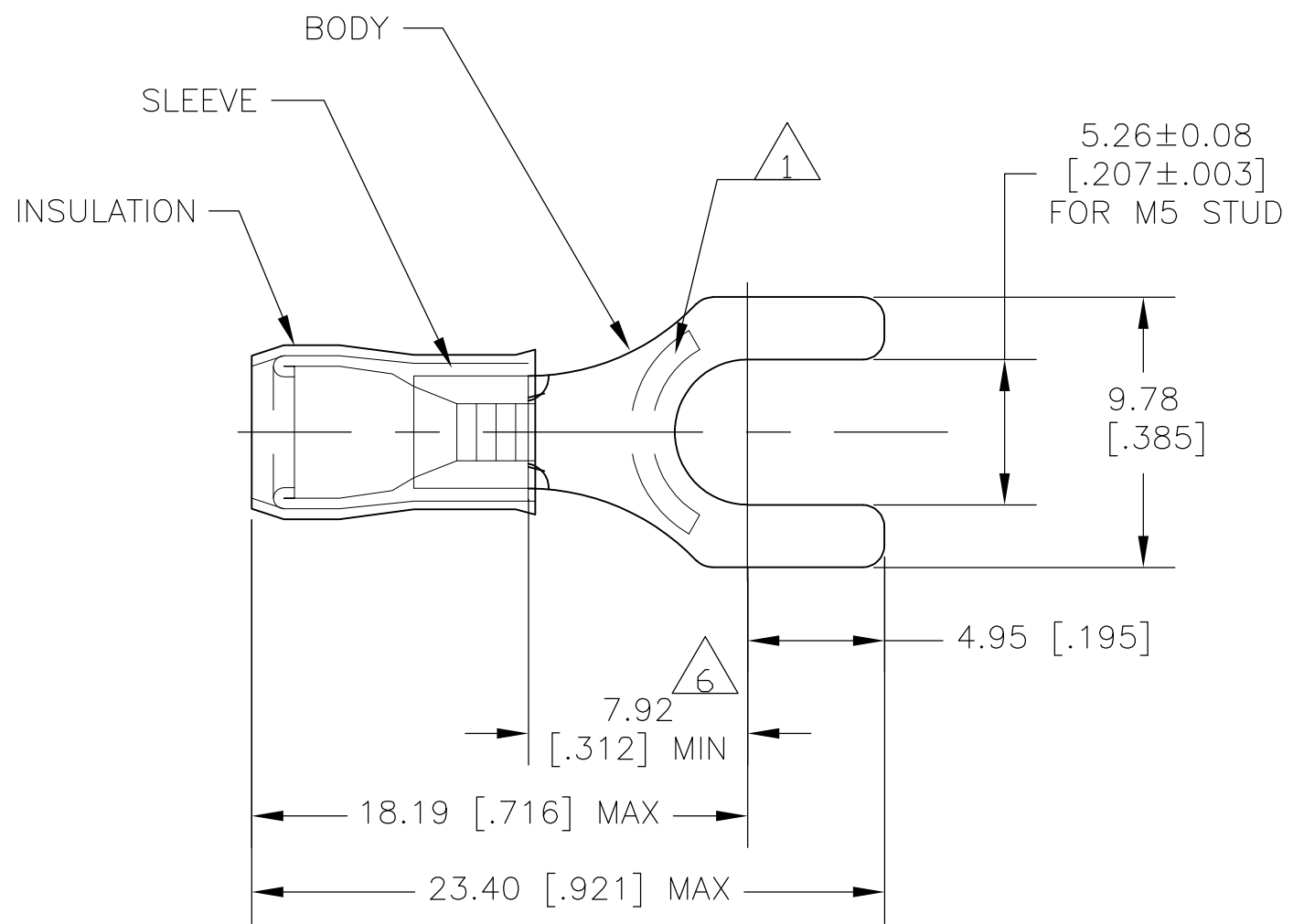


THIS DRAWING IS UNPUBLISHED. RELEASED FOR PUBLICATION
 © COPYRIGHT BY TYCO ELECTRONICS CORPORATION. ALL RIGHTS RESERVED.

| LOC | DIST | REVISIONS | | | | | |
|-----|------|-----------|-----|-----------------------|---------|-----|------|
| | | P | LTR | DESCRIPTION | DATE | DWN | APVD |
| G | 14 | | D | REV PER ECR 09-025898 | 02DEC09 | JR | TM |



- 1 STAMP AMP 16-14 APPROX AS SHOWN
- 2 WIRE INSULATION DIA: 2.9-4.3 [.115-.170]
- 3 TONGUE MATERIAL THK: 0.78±0.05 [.031±.002]
- 4 BODY & SLEEVE: TIN PLATE PER ASTM B545,
- 5 BODY & SLEEVE- CU PER ASTM B152 INSULATION - NYLON, COLOR - BLUE
- 6 APPLIES FROM EDGE OF METAL WIRE BARREL TO CENTER OF STUD HOLE.

| 1000 | LOOSE PIECE | 160170 |
|------|--------------|---------|
| QTY | PACKAGE TYPE | PART NO |

| | | | | | | | |
|--|--|---|--|---|----------------------------------|---|--------------------|
| AMP INCORPORATED CUSTOMER SERVICE SYSTEMS | | MAX RECOMMENDED OPERATING TEMPERATURE: 150°C MAX | THIS DRAWING IS A CONTROLLED DOCUMENT. | | DWN JR RUTH 02DEC09 | Tyco Electronics Tyco Electronics Corporation Harrisburg, Pa 17105-3608 | |
| FOR ADDITIONAL PRODUCT INFORMATION OR COPIES OF DRAWINGS AND TECHNICAL DOCUMENTS | PRODUCT INFORMATION CENTER 1-800-522-6752 | VOLTAGE RATING: - | DIMENSIONS: MM [INCHES] | TOLERANCES UNLESS OTHERWISE SPECIFIED: | CHK T MICHIELUTTI 02DEC09 | NAME TERMINAL, RECTANGULAR TONGUE, PIDG, WIRE SIZE: 16-14 AWG | |
| FOR APPLICATION TOOLING INFORMATION | TOOLING ASSISTANCE CENTER 1-800-722-1111 | CIRCULAR MIL AREA: 1.04-2.62mm ² [2,050-5,180] STRANDED | | 0 PLC ± - 1 PLC ± - 2 PLC ± - 3 PLC ± - 4 PLC ± - ANGLES ± - | APVD T MICHIELUTTI 02DEC09 | PRODUCT SPEC - | SIZE A3 |
| FOR ORDER ENTRY | 1-800-526-5142 | THIS DRAWING IS A CONTROLLED DOCUMENT FOR AMP INCORPORATED. IT IS SUBJECT TO CHANGE AND THE CONTROLLING ENGINEERING ORGANIZATION SHOULD BE CONTACTED FOR THE LATEST REVISION. | MATERIAL - 5 | FINISH - 4 | APPLICATION SPEC - | WEIGHT - | CAGE CODE 00779 |
| | | | CUSTOMER DRAWING | | DRAWING NO C-160170 | RESTRICTED TO - | SCALE 4:1 |
| | | | | | SHEET 1 OF 1 | | REV D |