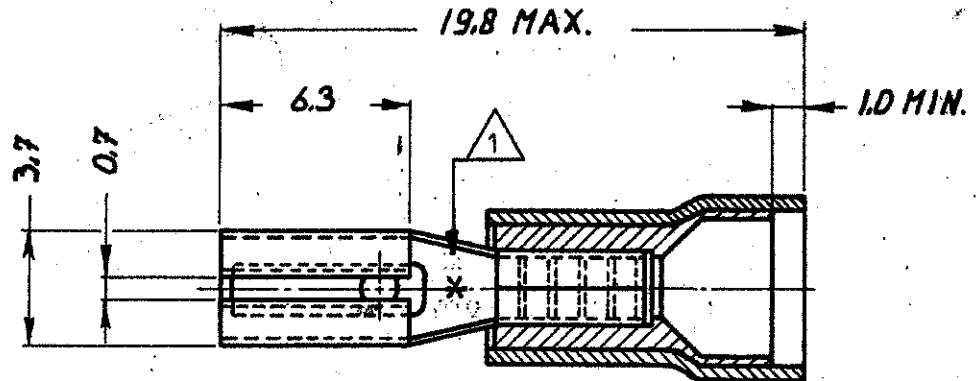


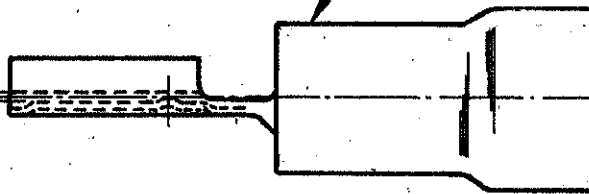
DRAWING MADE IN AMERICAN PROJECTION

NUMBER C-165617



FITS 0.8 TAB THK.

BLUE P.V.C INSULATION.



① ASTERISK * FOR PH.BRONZE VERSION ONLY.

** FOR WIRES I.D UP TO 1.5 mm² CONTACT AMP

③ OBSOLETE W/O REPLACEMENT

2-165617-5	165617-5	TAPE MOUNTED
2-165617-2	165617-2	TAPE MOUNTED
③ 165617-4	PH. BRONZE	GOLD
③ 165617-6	PH. BRONZE	SILVER
165617-5	PH. BRONZE	TIN
③ 165617-4	BRASS	GOLD
③ 165617-3	BRASS	SILVER
165617-2	BRASS	TIN

CUSTOMER COPY FOR REFERENCE ONLY

©1981 BY AMP-HOLLAND N.V. ALL RIGHTS RESERVED A-MP PRODUCTS COVERED BY PATENTS AND/OR PATENTS PENDING.



AMP-HOLLAND N.V.
's-Hertogenbosch

WIRE-RANGE	INSUL.-RANGE	FIRST USED
1.5-2.5 mm ² **	4.3mm. MAX.	

ORDER NO.	MATERIAL	PLATING	SCALE	SIZE	NO	REV
			N.O.S.	A	C-165617	G

DR	DATE	DE	DATE
B. WILLEMSSEN	NOV. 81		

CHK	DATE	APP	DATE
B. Jans	18-11-81		19-11-81

NAME .110 SERIES PIDG FASTON RECEPTACLE

DIMENSIONS IN M.M. DO NOT SCALE PRINT