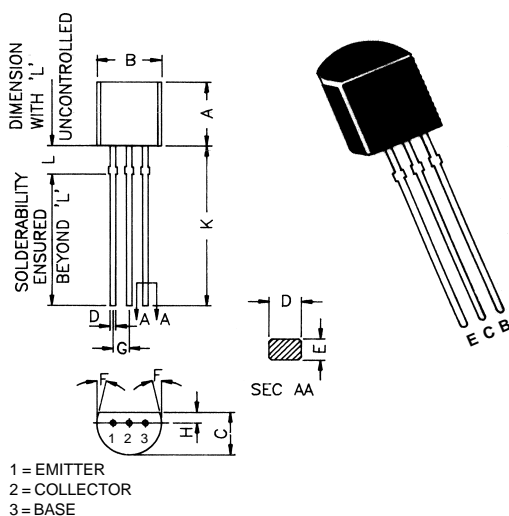


TO-92 Plastic Package

2N3702
2N3703

PNP SILICON PLANAR EPITAXIAL TRANSISTORS



DIM	MIN	MAX
A	4,32	5,33
B	4,45	5,20
C	3,18	4,19
D	0,41	0,55
E	0,35	0,50
F	5 DEG	
G	1,14	1,40
H	1,14	1,53
K	12,70	-
L	1.982	2.082

ALL DIMENSIONS IN M.M.

ABSOLUTE MAXIMUM RATINGS

Rating	Symbol	2N3702	2N3703	Units
Collector Emitter voltage	V_{CEO}	25	30	V
Collector Base voltage	V_{CBO}	40	50	V
Emitter Base voltage	V_{EBO}	5	5	V
Collector Current (Continuous)	I_C	-	600	mA
Total Power Dissipation $T_a = 25^\circ C$	P_D	-	625	mW
Derate above $25^\circ C$		-	5	mW/ $^\circ C$
Operating & Storage Junction Temperature Range	T_j, T_{stg}	-55 to +150		$^\circ C$

THERMAL RESISTANCE

Junction to Ambient	$R_{th(j-a)}$	-	200	-	$^\circ C/W$
---------------------	---------------	---	-----	---	--------------

2N3702
2N3703

ELECTRICAL CHARACTERISTICS ($T_a=25\text{ }^\circ\text{C}$ unless otherwise specified)

Description	Symbol	Min.	Typ.	Max.	Unit
<i>Collector Emitter Voltage</i>					
$I_C=10\text{mA}, I_B=0$	2N3702 BV_{CEO}^*	25	-	-	V
	2N3703	30	-	-	V
<i>Collector Base Voltage</i>					
$I_C=100\mu\text{A}, I_E=0$	2N3702 BV_{CBO}	40	-	-	V
	2N3703	50	-	-	V
<i>Emitter Base Voltage</i>					
$I_E=100\mu\text{A}, I_C=0$	BV_{EBO}	5	-	-	V
<i>Collector Cutoff Current</i>					
$V_{CB}=20\text{V}, I_E=0$	I_{CBO}	-	-	100	nA
<i>Emitter Cutoff Current</i>					
$V_{EB}=3\text{V}, I_C=0$	I_{EBO}	-	-	100	nA
<i>DC Current Gain</i>					
$V_{CE}=5\text{V}, I_C=50\text{mA}$	2N3702 h_{FE}^*	60	-	300	
	2N3703	30	-	150	
<i>Collector Emitter Saturation Voltage</i>					
$I_C=50\text{mA}, I_B=5\text{mA}$	$V_{CE(sat)}^*$	-	-	0.25	V
<i>Base Emitter On Voltage</i>					
$I_C=50\text{mA}, V_{CE}=5\text{V}$	$V_{BE(on)}^*$	0.6	-	1.0	V
DYNAMIC CHARACTERISTICS					
<i>Transition Frequency</i>					
$V_{CE}=5\text{V}, I_C=50\text{mA}, f=20\text{MHz}$	f_T	100	-	-	MHz
<i>Output Capacitance</i>					
$V_{CB}=10\text{V}, I_E=0, f=1\text{MHz}$	C_{ob}	-	-	12	pF

* Pulse Test : Pulse Width $\leq 300\mu\text{s}$, Duty cycle $\leq 2\%$.

Notes

Disclaimer

The product information and the selection guides facilitate selection of the CDIL's Discrete Semiconductor Device(s) best suited for application in your product(s) as per your requirement. It is recommended that you completely review our Data Sheet(s) so as to confirm that the Device(s) meet functionality parameters for your application. The information furnished on the CDIL Web Site/ CD is believed to be accurate and reliable. CDIL however, does not assume responsibility for inaccuracies or incomplete information. Furthermore, CDIL does not assume liability whatsoever, arising out of the application or use of any CDIL product; neither does it convey any license under its patent rights nor rights of others. These products are not designed for use in life saving/support appliances or systems. CDIL customers selling these products (either as individual Discrete Semiconductor Devices or incorporated in their end products), in any life saving/support appliances or systems or applications do so at their own risk and CDIL will not be responsible for any damages resulting from such sale(s).

CDIL strives for continuous improvement and reserves the right to change the specifications of its products without prior notice.



CDIL is a registered Trademark of
Continental Device India Limited

C-120 Naraina Industrial Area, New Delhi 110 028, India.
Telephone + 91-11-2579 6150, 5141 1112 Fax + 91-11-2579 5290, 5141 1119
email@cdil.com www.cdilsemi.com