

## Red Dot Lasermodule

DI650-0.4-3(8x21)

Order Number: 70104264

Main Parameters (*)	min	typ	max	Unit
Wavelength		650		nm
Optical Output Power		0.4		mW
Operating Voltage	2.4	3	3	V DC
Operating Current	10	20	30	mA
Operating Temperature	-20		50	°C
Storage Temperature	-40		80	°C

### Optical Parameters

Beam Shape	Dot
Laser Class	1
Divergence	1.5mrad
Beam Diameter	2mm
Size of Laserdot	<3..5mm@5m
Operating Distance	5m
Optics	glass lens AR coated
Laser technology	Diode
Focus	fixed (5000mm)

### Technical Parameters

Lifetime	>5000h
RoHS	yes

### Electrical Parameters

Potential of Housing	isolated
Power Supply	LFNT-3

### Mechanical Parameters

Size	Ø8x21mm
Material	Aluminium
Cable length	100mm
Output Aperture	2mm
Weight	3g

(\*) Over the complete operating temperature

### Features





- Operating Voltage 3V DC
- Laser Class 1
- Fixed focus
- For medical devices
- Compact size

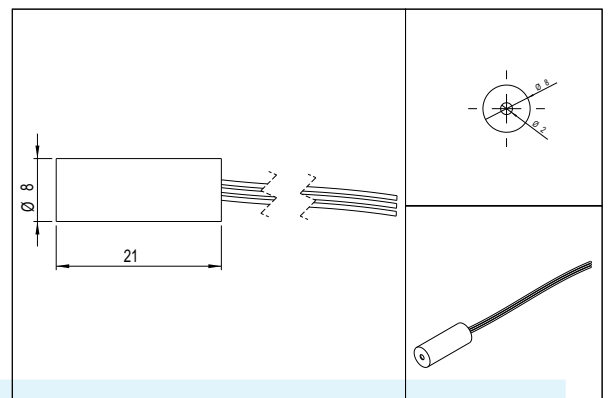
### Picture



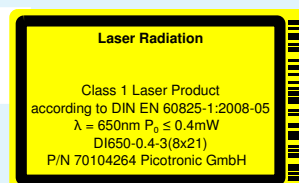
### Cable Colors

Ground		blue	GND
Positive		red	2.4 - 3, typ 3V DC

### Drawing



### Safety Label



### Revision

REV 3