

Red Line Lasermodule

LH650-16(16x90)-NT-MOUNT

Order Number: 70116991

Main Parameters (*)	min	typ	max	Unit
Wavelength		650		nm
Optical Output Power		16		mW
Operating Voltage	2.7	3	3.3	V DC
Operating Current		70		mA
Operating Temperature	-20		50	°C
Storage Temperature	-40		80	°C

Optical Parameters

Beam Shape	Line
Laser Class	2
Divergence	1mrad
Fan Angle	90°
Line Thickness	<1mm@3m
Operating Distance	5m
Optics	glass lens AR coated
Laser technology	Diode
Focus	fixed (3000mm)

Technical Parameters

Lifetime	>5000h
RoHS	yes

Electrical Parameters

Potential of Housing	VDD(+)
Connector	2.5 mm DC plug (GND=inner)
Power Supply	LFNT-3

Mechanical Parameters

Size	Ø16x90mm
Material	Aluminium
Cable length	1400mm
Output Aperture	5.5mm
Weight	161g

(*) Over the complete operating temperature

Features

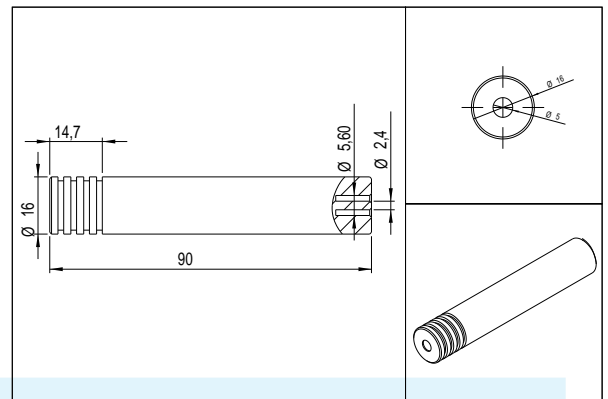


- Laser Class 2
- High Power
- Image processing
- Low power consumption

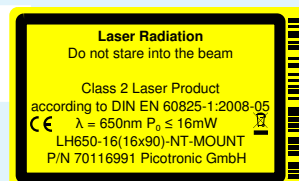
Picture



Drawing



Safety Label



Revision

REV 1