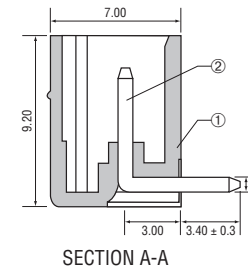
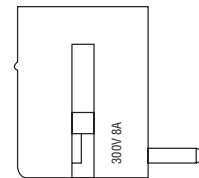
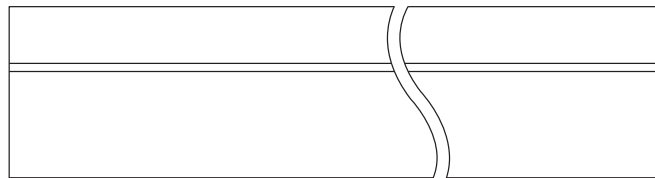
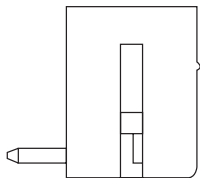
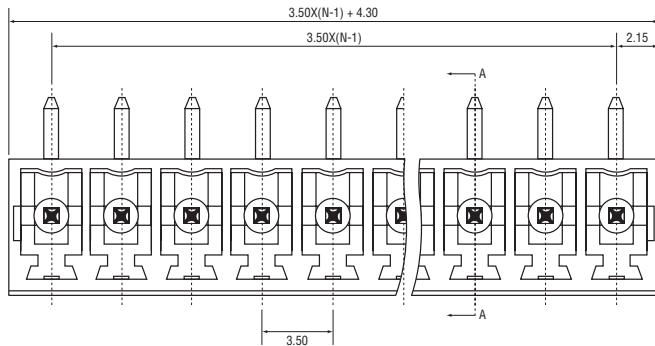


- Pitch: 3.5mm
- Rated voltage/current: 300V/8A
- Operation temperatures: -40 °C to 105 °C
- Withstanding voltage: AC2000V/1 min.
- Insulation resistance: 5000MΩ/DC1000V

Pitch range in mm			Nominal dimensions range in mm				
6	Over 6 to 10	Over 10 to 24	30	Over 30 to 60	Over 60 to 100	Over 100 to 150	Over 150
±0.10	±0.15	±0.25	±0.2	±0.3	±0.5	±0.7	±1.0



Order code	Poles
21-3027	2
21-3028	3
21-3029	4
21-3957	5
21-3030	6
21-3947	7
21-3031	8
21-3948	9
21-3032	10
21-3949	11
21-3033	12

No.	Material	Plating
1	PA66	UL94V-0
2	Brass	Automatic assembly
2	Brass	Manual assembly

For further information on pricing, delivery, and long-term stock agreements please get in touch with your local business development contact. Telephone our main office on **01206 838000** or email **Sales@Rapidonline.com**.

The information contained in this datasheet is subject to change without notice and replaces all data sheets previously supplied.



SCAN ME