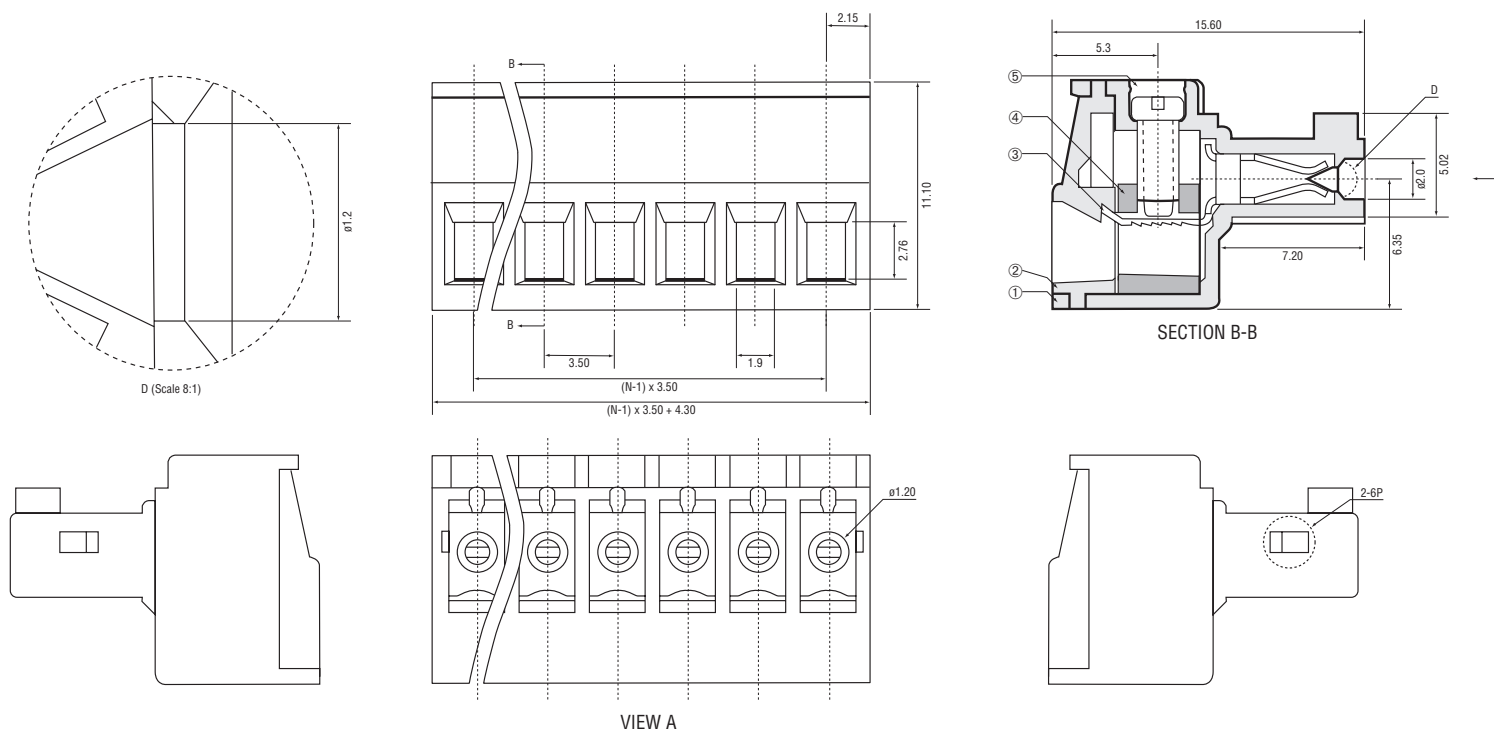


- Pitch: 3.5mm
- Rated voltage/current: 300V/8A
- Operation temperatures: -40 °C to +105 °C
- Withstanding voltage: AC2000V/1 min.
- Insulation resistance: 5000MΩ/DC1000V
- Wire range: 28 to 16AWG, 0.5 to 1.5mm<sup>2</sup>
- Max. torque value: M2.0, 2.04Kgf.cm

Pitch range in mm			Nominal dimensions range in mm				
Up to 6	Over 6 to 10	Over 10 to 24	Up to 30	Over 30 to 60	Over 60 to 100	Over 100 to 150	Over 150
±0.10	±0.15	±0.25	±0.2	±0.3	±0.5	±0.7	±1.0



Order code	Poles
21-3034	2
21-3035	3
21-3036	4
21-2234	5
21-3037	6
21-3943	7
21-3038	8
21-3944	9
21-3039	10
21-3945	11
21-3040	12



No.	Material	Plating
1	PA66	UL94V-0
2	PA66	UL94V-0
3	Phosphor bronze	Ni plated
4	Brass	Ni plated
5	Steel	Cr <sup>3+</sup> Zn

For further information on pricing, delivery, and long-term stock agreements please get in touch with your local business development contact. Telephone our main office on **01206 838000** or email **Sales@Rapidonline.com**.

The information contained in this datasheet is subject to change without notice and replaces all data sheets previously supplied.



SCAN ME