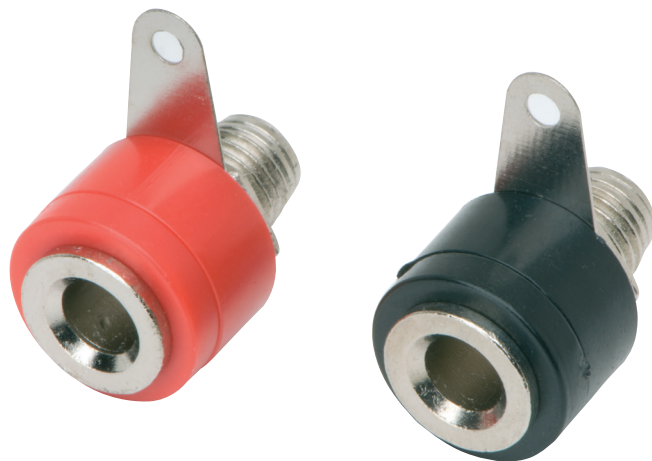
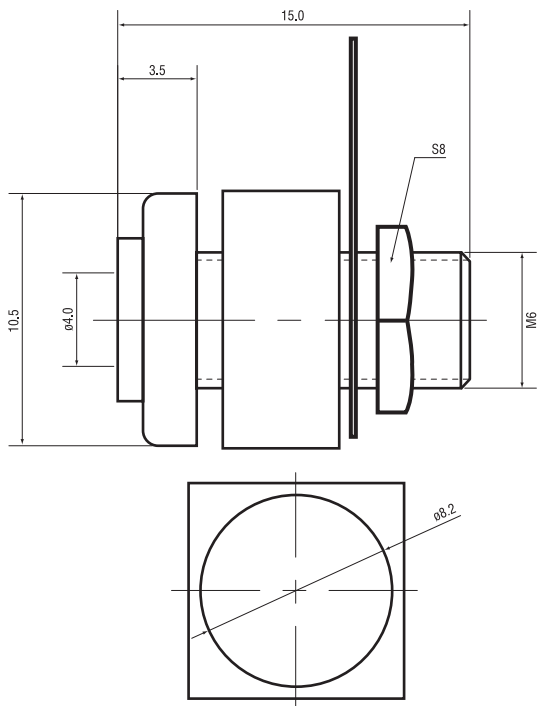


# 4mm Panel Socket with Solder Connection



Low cost 4mm panel socket especially popular in educational and training instruments – solder connection.

### Material:

- Surface treatment: Nickel plated
- Insulation: ABS

### Ratings:

- Rated voltage & current: 30V AC-60V DC/Max. 10A

### Part Number Table:

Description	Order code
Socket, 4mm, Panel, Black	17-2672
Socket, 4mm, Panel, Red	17-2673