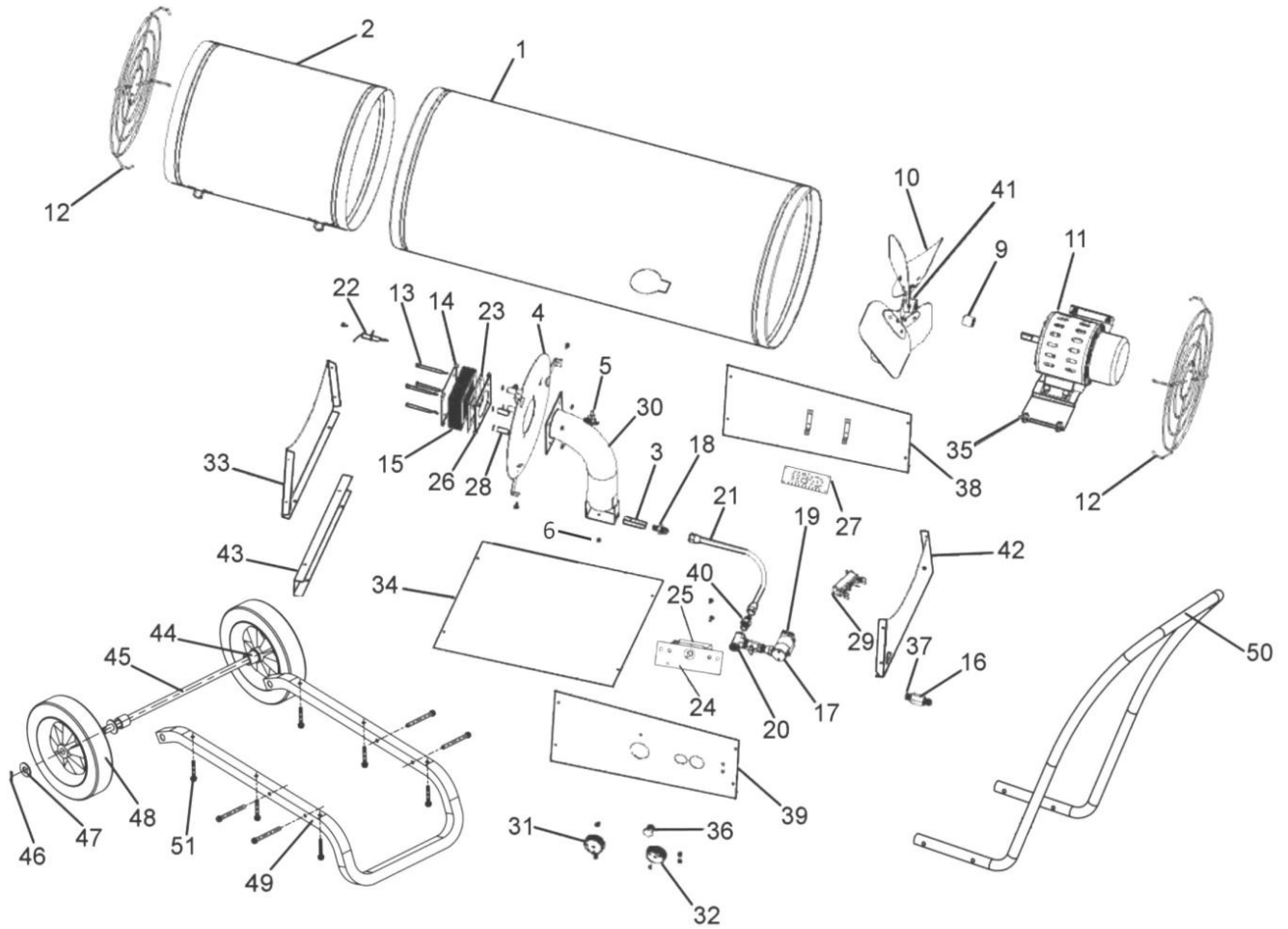




Parts Information:
Space Warmer® Propane Heater 210,000-400,000Btu/hr
Model No: LP401



NOTE: It is our policy to continually improve products and as such we reserve the right to alter data, specifications and component parts without prior notice.

IMPORTANT: No liability is accepted for incorrect use of product.

WARRANTY: Guarantee is 12 months from purchase date, proof of which will be required for any claim.

Sealey Group, Kempson Way, Suffolk Business Park, Bury St Edmunds, Suffolk. IP32 7AR



01284 757500



01284 703534



sales@sealey.co.uk



www.sealey.co.uk



Parts Information:
Space Warmer® Propane Heater 210,000-400,000Btu/hr
Model No: LP401

1	LP401.01	BODY
2	LP401.02	COMBUSTION CHAMBER
3	LP401.03	VENT
4	LP401.04	FLAME HOLDER ASS'Y
5	LP401.05	HIGH LIMIT SWITCH
6	LP401.06	VENT SCREW
9	LP401.09	FAN SPACER (NYLON)
10	LP401.10	FAN
11	LP401.11	MOTOR ASS'Y
12	LP401.12	INLET GRILLE
13	LP401.13	MACHINE SCREW (FOR BURNER)
14	LP401.14	BURNER, OUTER PLATE
15	LP401.52	BURNER ASSEMBLY
16	LP401.16	MALE FITTING CONNECT
17	LP401.17	SOLENOID VALVE
18	LP401.18	MALE FITTING CONNECTOR
19	LP401.19	ADJUSTMENT VALVE
20	LP401.20	FITTING (1/4"NPT 'F')
21	LP401.21	FUEL TUBE ASS'Y
22	LP401.22	ELECTRODE, FLAME SENSOR
23	LP401.23	BURNER, FIBRE GASKET
24	LP401.24	THERMOSTAT MOUNTING BRACKET
25	LP401.25	THERMOSTAT ASS'Y
26	LP401.26	BURNER, INNER PLATE
27	LP401.27	FLAME CONTROL UNIT
28	LP401.28	BURNER, SS SPACER
29	LP401.29	TERMINAL BOARD
30	LP401.30	BURNER TUBE
31	LP401.31	THERMOSTAT KNOB
32	LP401.32	KNOB, BURN RATE ADJUSTMENT
33	LP401.33	CONTROL BOX, EXIT PANEL
34	LP401.34	CONTROL BOX, BASE PANEL
35	LP401.35	MOTOR MOUNTING

Item	Part No.	Description
36	LP401.36	FITTING, PLUG 1/4"MPT
37	LP401.37	INLET FILTER SCREEN (NLA)
38	LP401.38	CONTROL BOX, RIGHT PANEL
39	LP401.39	CONTROL BOX, CRTL PANEL
40	LP401.40	MALE FITTING CONNECTOR
41	LP401.41	SET SCREW, NYLON
42	LP401.42	CONTROL PANEL, INLET PANEL
43	LP401.43	BRACKET (NLA)
44	LP401.44	AXLE, SLEEVE
45	LP401.45	AXLE
46	LP401.46	COTTER PIN
47	FWM12.S	FLAT WASHER M12 SINGLE
48	LP401.48	WHEEL, FIXED (200x13x42)
49	LP401.49	SUPPORT FRAME
50	LP401.50	HANDLE, UPPER
51	LP401.51	MACHINE SCREW
--	LP401.ACC1	SNAP BUSHING 5/8" (NOT SHOWN)
--	LP401.ACC2	CONTROL BOX, RIGHT PANEL (NOT SHOWN)
--	LP401.ACC3	BUSHING, STRAIN RELIEF (NOT SHOWN)
--	LP401.ACC4	POWER CORD ASS'Y (NOT SHOWN)
--	LP401.ACC5	LOOP CLAMP 5/16 (NOT SHOWN)
--	LP401.ACC6	HOSE ASS'Y (NOT SHOWN)
--	LP401.ACC7	REGULATOR (1.5bar) (NOT SHOWN)
--	LP401.ACC8	EXCESS FLOW VALVE (NOT SHOWN)
--	LP401.LAB1	LABEL, SAFETY PRECAUTIONS (NOT SHOWN)
--	LP401.LAB2	LABEL, GENERAL HAZARD WARNING (NOT SHOWN)
--	LP401.LAB3	LABEL, MODEL (NOT SHOWN)
--	LP401.LAB4	LABEL, THERMOSTAT WARNING (NOT SHOWN)
--	LP401.LAB5	LABEL, WARNING ELECTRICAL (NOT SHOWN)
--	LP401.LAB6	LABEL, WIRING SCHEMATIC (NOT SHOWN)

NOTE: It is our policy to continually improve products and as such we reserve the right to alter data, specifications and component parts without prior notice.

IMPORTANT: No liability is accepted for incorrect use of product.

WARRANTY: Guarantee is 12 months from purchase date, proof of which will be required for any claim.

Sealey Group, Kempson Way, Suffolk Business Park, Bury St Edmunds, Suffolk. IP32 7AR



01284 757500



01284 703534



sales@sealey.co.uk



www.sealey.co.uk