



INSTRUCTIONS FOR

INFRARED CABINET HEATER 1.5/3KW 110V

MODEL NO: **IRC153110V**

Thank you for purchasing a Sealey product. Manufactured to a high standard, this product will, if used according to these instructions, and properly maintained, give you years of trouble free performance.

IMPORTANT: PLEASE READ THESE INSTRUCTIONS CAREFULLY. NOTE THE SAFE OPERATIONAL REQUIREMENTS, WARNINGS & CAUTIONS. USE THE PRODUCT CORRECTLY AND WITH CARE FOR THE PURPOSE FOR WHICH IT IS INTENDED. FAILURE TO DO SO MAY CAUSE DAMAGE AND/OR PERSONAL INJURY AND WILL INVALIDATE THE WARRANTY. KEEP THESE INSTRUCTIONS SAFE FOR FUTURE USE.



Refer to instruction manual



Hot surfaces



Warning electricity



DO NOT cover

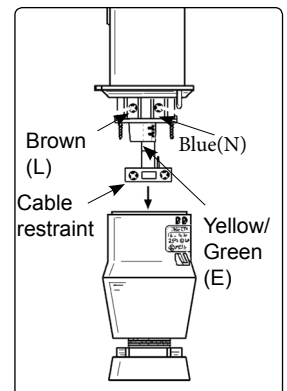


Indoor use only

1. SAFETY

1.1. Electrical Safety

- WARNING!** It is the user's responsibility to check the following:
- ✓ Check all electrical equipment and appliances to ensure that they are safe before using. Inspect power supply leads, plugs and all electrical connections for wear and damage. Sealey recommend that an RCD (Residual Current Device) is used with all electrical products. You may obtain an RCD by contacting your local Sealey stockist. If the heater is used in the course of business duties, it must be maintained in a safe condition and routinely PAT (Portable Appliance Test) tested. Electrical safety information, it is important that the following information is read and understood.
- ✓ Ensure that the insulation on all cables and on the appliance is safe before connecting it to the power supply. regularly inspect power supply cables and plugs for wear or damage and check all connections to ensure that they are secure.
- ✓ Ensure that the voltage rating on the appliance suits the power supply to be used.
- ✗ **DO NOT** pull or carry the appliance by the power cable.
- ✗ **DO NOT** pull the plug from the socket by the cable.
- ✗ **DO NOT** use worn or damaged cables, plugs or connectors. Ensure that any faulty item is repaired or replaced immediately by a qualified electrician.
- ✓ This product is fitted with a EN 60309 (110volt 32amp) plug.
- ✓ If the cable or plug is damaged during use, switch the electricity supply and remove from use.
- ✓ Replace a damaged plug with a EN 60309 (110volt 32amp) plug If in doubt contact a qualified electrician.
 - a) Connect the GREEN/YELLOW earth wire to the earth terminal 'E'.
 - b) Connect the BROWN live wire to the live terminal 'L'.
 - c) Connect the BLUE neutral wire to the neutral terminal 'N'.
- ✓ Ensure that the cable outer sheath extends inside the cable restraint and that the restraint is tight. Sealey recommend that repairs are carried out by a qualified electrician.



1.2. General Safety

- WARNING!** Disconnect the heater from the mains power supply before carrying out any servicing or maintenance.
- ✓ Maintain the heater in good order and clean condition for best and safest performance. Replace or repair damaged parts.
- ✓ Locate heater in a suitable work area and keep area clean, tidy and free from unrelated materials. Ensure there is adequate lighting and keep the immediate area in front of the outlet grille clear.
- ✓ Allow the unit to cool before storage. When not in use, disconnect from the mains power supply and store in a safe, cool, dry, childproof area.
- ✓ Only use the heater standing in the upright position on a level surface.
- ✗ **DO NOT** use the heater where there are flammable liquids, solids or gases such as petrol, solvents, aerosols etc, or where heat sensitive materials may be stored.
- ✗ **DO NOT** place the heater near items that may be damaged by heat, allow at least 2mtr clearance in front of the heater.
- ✗ **DO NOT** allow the heater to get wet as this may cause an electric shock, causing damage to the heater and possible personal injury.
- ✗ **DO NOT** let power lead hang over an edge (i.e. table), or touch a hot surface, lie in the beam of heat, or run under a carpet.
- ✗ **DO NOT** use in bathroom, shower room, or in any wet or damp environments or where there is high condensation.
- ✗ **DO NOT** operate the heater when you are tired or under the influence of alcohol, drugs or intoxicating medication.
- ✗ **DO NOT** insert or allow objects to enter any openings of heater as this may cause an electric shock, fire or damage to heater.
- ✗ **DO NOT** use heater if the power cord, plug or the heater is damaged, or if the heater has become wet.
- ✗ **DO NOT** use the heater for any purpose other than for which it is designed.
- ✗ **DO NOT** use a timer or other remote device to operate the heater.
- ✗ **DO NOT** touch the lamps, even when cold.
- ✗ **DO NOT** use the heater without the wheels fitted and locked.
- ✗ **DO NOT** allow children to touch or to operate the heater.
- ✗ **DO NOT** site the heater below an electrical socket outlet.
- ✗ **DO NOT** use the heater without the grille fitted.
- ✗ **DO NOT** use the heater out of doors. These heaters are designed for indoor use only
- ✗ **DO NOT** cover heater when in use, and do not obstruct the air inlet and outlet grilles.
- ✗ **DO NOT** place heater too close to yourself or any object, allow the air to circulate freely.

- × **DO NOT** touch the outlet grille of the heater during and immediately after use as it will be hot.
 - ✓ Children of less than 3 years old should be kept away unless continuously supervised.
- NOTE:** Children aged from 3 years and less than 8 years shall only switch on/off the appliance provided that it has been placed or installed in its intended normal operating position and they have been given supervision or instruction concerning use of the appliance in a safe way and understand the hazards involved. Children aged from 3 years and less than 8 years shall not plug in, regulate and clean the appliance or perform user maintenance.
- NOTE:** This appliance can be used by children aged from 8 years and above and persons with reduced physical, sensory or mental capabilities or lack of experience and knowledge if they have been given supervision or instruction concerning use of the appliance in a safe way and understand the hazards involved. Children shall not play with the appliance. Cleaning and user maintenance shall not be made by children without supervision.

2. INTRODUCTION

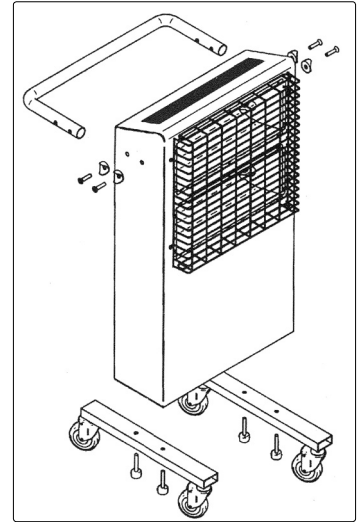
Powder coated metal cabinet with two ruby halogen infrared elements and chemically polished reflectors for maximum heat emission. Controllable power output by rocker switches on the side of the cabinet. Features easy-rolling swivel castors with 2 locking castors. Suitable for wide range of heating including restorative applications. Supplied with power cable.

3. SPECIFICATION

Model No..... IRC153110V
 Power output (2 heat settings) 1500/3000 Watt
 Size W x D x H 560 x 490 x 885mm
 Supply 110V-32A
 Weight..... 17.08kg

4. ASSEMBLY

- 4.1. Attach the wheel sub-assemblies to the base of the heater using the bolts provided. Ensure the lockable wheels are to the rear of the heater.
- 4.2. Attach the handle to the top of the heater using the bolts provided, ensuring the shaped spacers are fitted between the heater and the handle as shown.
- 4.3. Remove the front grille by unscrewing the retaining screws.
- 4.4. Extract the lamps from the shipping carton.
 - WARNING!** Never touch lamp glass directly with fingers, only touch the ceramic ends or use a soft cloth, otherwise elements could be damaged.
- 4.5. Carefully insert each lamp into the two push-in side fittings with a gentle pressure.
- 4.6. Check the lamps are properly located.
- 4.7. Reassemble front grille.



5. OPERATION

- 5.1. Place the heater on a level floor in the area you require to heat. Allow a minimum of 2mtr between the heater and adjacent objects.
- 5.2. Plug the heater into the mains supply and select the required output by using the two rocker switches on the side which switch the elements on and off. Each lamp has an output of 1500W.
- 5.3. To switch the unit off, select "0" on both the rocker switches and unplug from the mains. Allow the unit to cool before handling or storage.
 - WARNING! DO NOT** touch the top of the heater when in use as it becomes hot.
 - WARNING!** Always allow elements to cool before moving the units. Use only on a smooth even surface. Failure to do so will cause premature wear to the lamps and reduce their working life.
- 5.4. The heater has a built in tilt switch safety mechanism that switches off the unit if it is tilted beyond 35° either forwards or backwards. This prevents fire in the event of the unit being knocked over. If the unit does not turn on again when returned to the vertical, tip it approximately 35° in the opposite direction until you hear the internal switch operate. As the heater switches on return it to the vertical position.

6. MAINTENANCE

- WARNING!** Before attempting any maintenance ensure the unit is unplugged from the mains power supply, it is cool and on level ground.
 - × **DO NOT** touch the element glass, even when cold.
 - × **DO NOT** use the heater with out the grills fitted.
- 6.1. To clean the reflector, remove the front grill by unscrewing the retaining screws and wipe the reflector with a clean dry cloth. **DO NOT** use abrasives or solvents. The surface of the reflector is very soft and scratches may cause it to overheat. Replace the grille.
 - 6.2. To change the element remove the front grille by unscrewing the retaining screws.
 - 6.2.1. Ease the sprung sockets on the ends of the element back and pull the element forward so that it clears the socket, remove element.
 - WARNING!** Never touch element glass directly with fingers, only touch the ceramic ends or use a soft cloth, to prevent damage.
 - 6.2.2. Carefully insert the replacement lamp into the two push in side fittings with gentle pressure.
 - 6.2.3. Check the element is properly located, then replace front grill.

**WEEE REGULATIONS**

Dispose of this product at the end of its working life in compliance with the EU Directive on Waste Electrical and Electronic Equipment (WEEE). When the product is no longer required, it must be disposed of in an environmentally protective way. Contact your local solid waste authority for recycling information.

**ENVIRONMENT PROTECTION**

Recycle unwanted materials instead of disposing of them as waste. All tools, accessories and packaging should be sorted, taken to a recycling centre and disposed of in a manner which is compatible with the environment. When the product becomes completely unserviceable and requires disposal, drain any fluids (if applicable) into approved containers and dispose of the product and fluids according to local regulations.

Sealey Group, Kempson Way, Suffolk Business Park, Bury St Edmunds, Suffolk. IP32 7AR



01284 757500



01284 703534



sales@sealey.co.uk



www.sealey.co.uk