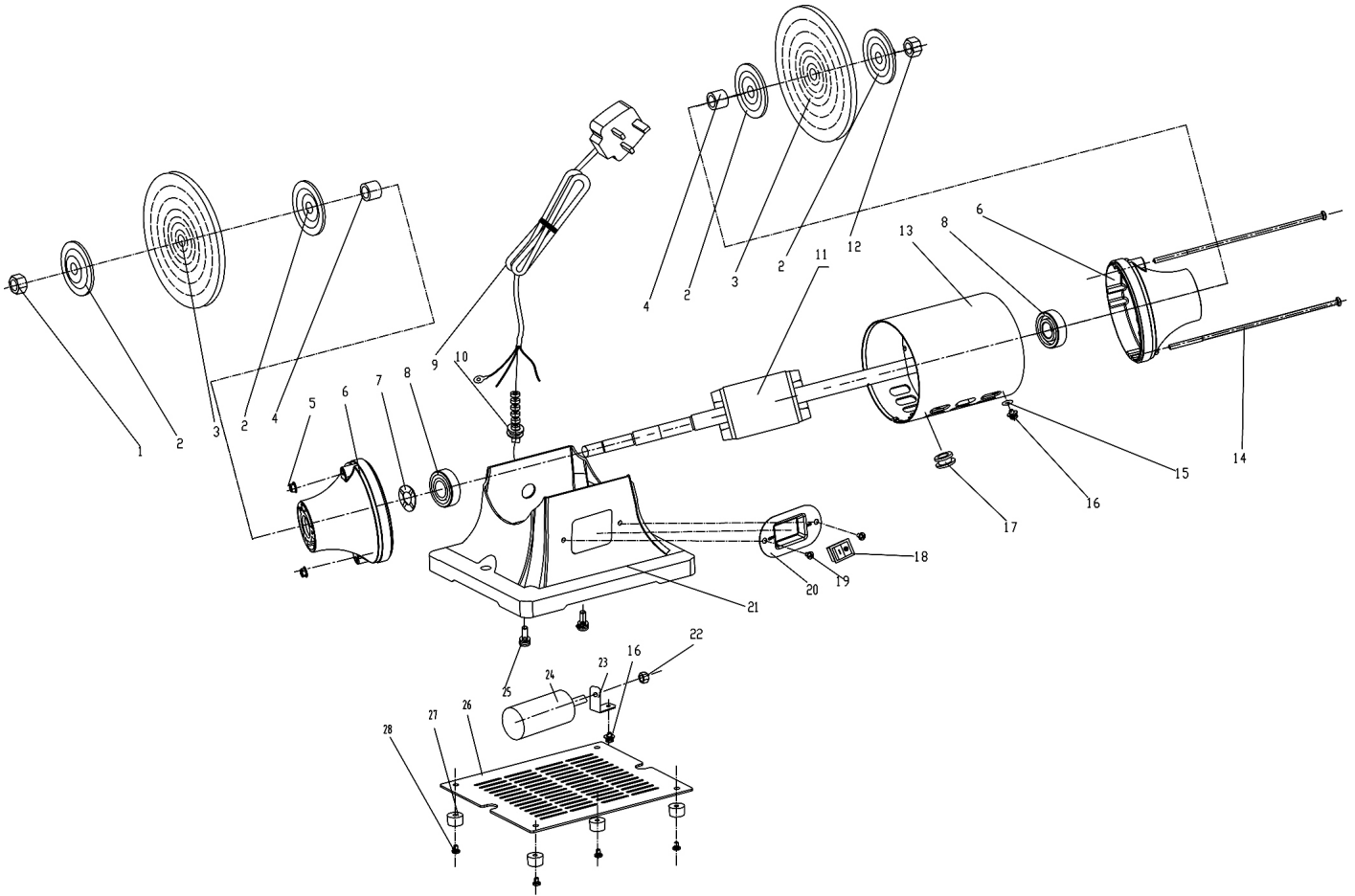


Parts Information:
Bench Mounting Buffer/Polisher 200mm
550W/230V
Model No: BB2002



Item	Part No.	Description
1	SN16.S	STEEL NUT M16 ZINC DIN934(SINGLE)
2	BB2002.02	WHEEL FLANGE
3	BG200BW	BUFFING WHEEL 200 x 14mm 16mm BORE FINE
--	BG200BWC	BUFFING WHEEL 200 x 14mm 16mm BORE COARS (NOT SHOWN)
4	BB2002.04	SPACER
5	SN5.S	STEEL NUT M5 ZINC DIN934 (SINGLE)
6	BB2002.06	END CAP
7	BB2002.07	WAVY WASHER (40mm)
8	B/6203	BEARING 6203
9	BB2002.09	POWER CORD + PLUG
10	BB2002.10	STRAIN RELIEF
11	BB2002.11	ROTOR
12	SN16.S	STEEL NUT M16 ZINC DIN934(SINGLE)
13	BB2002.13	STATOR
14	BB2002.14	PHILLIPS SCREW (c/w WASHER) M5x200

Item	Part No.	Description
15	BB2002.15	LOCKING WASHER (TOOTHED) 4mm
16	BB2002.16	PHILLIPS SCREW ASS'Y (M4x8)
17	BB2002.17	CORD BUSHING
18	BB2002.18	SWITCH
19	MSP58.SB	MACHINE SCREW PAN HEAD PHILLIPS M5x8mm BLACK
20	BB2002.20	SWITCH PLATE
21	BB2002.21	BASE (SO)
22	SN8.S	STEEL NUT M8 ZINC DIN934 (SINGLE)
23	BB2002.23	CAPACITOR SUPPORT
24	BB2002.24	CAPACITOR (10uF/450V)
25	BB2002.25	PHILLIPS SCREW (c/w SPRING WASHER) M6x20
26	BB2002.26	BASE COVER
27	BB2002.27	RUBBER FOOT
28	BB2002.28	PHILLIPS SCREW (c/w FLAT WASHER) M4x12

NOTE: It is our policy to continually improve products and as such we reserve the right to alter data, specifications and component parts without prior notice.

IMPORTANT: No liability is accepted for incorrect use of product.

WARRANTY: Guarantee is 12 months from purchase date, proof of which will be required for any claim.