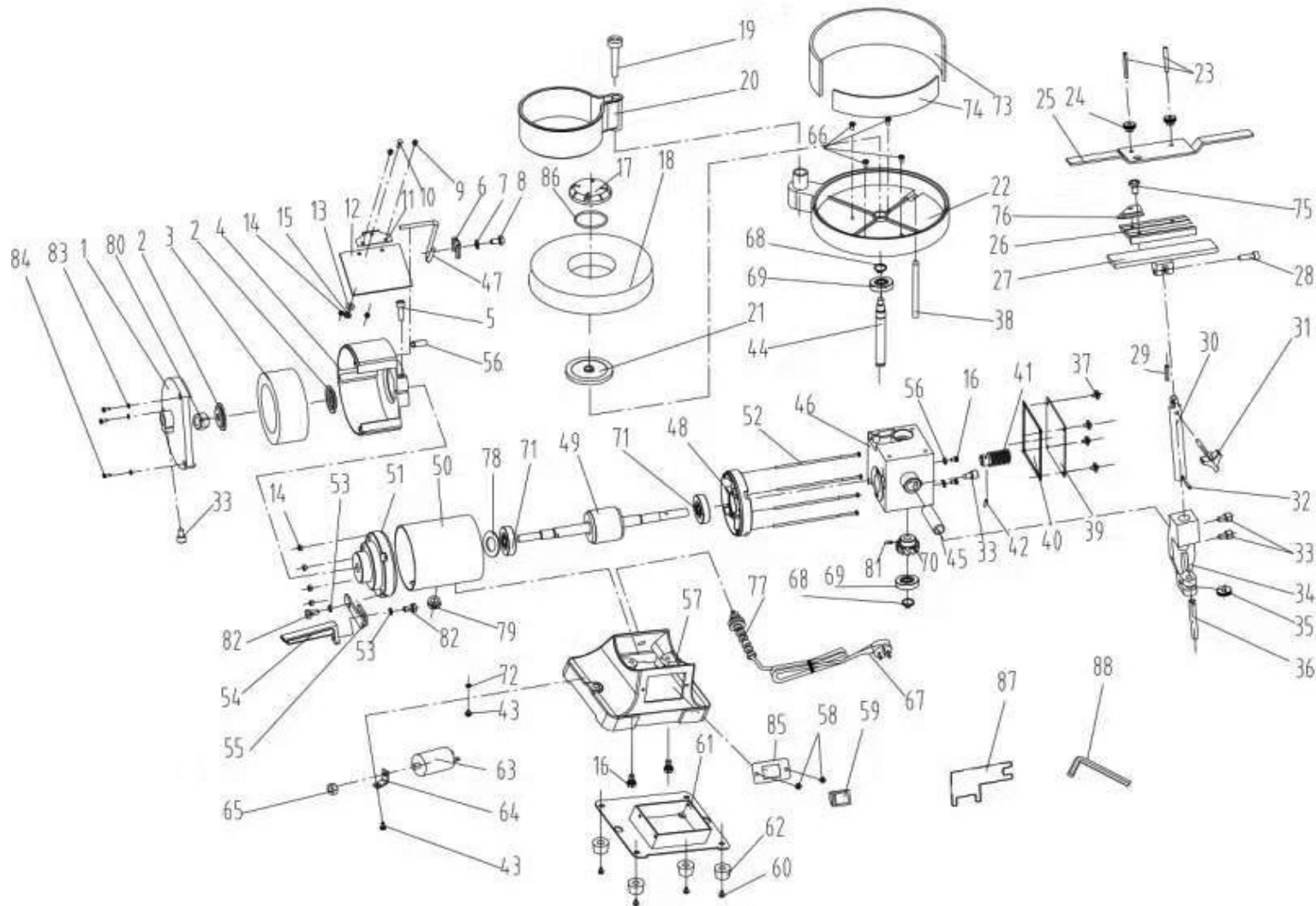




Parts Information:
Bench Grinder/Sharpener Wet & Dry Ø200/125mm 250W/230V
Model No: SMS2107



NOTE: It is our policy to continually improve products and as such we reserve the right to alter data, specifications and component parts without prior notice.

There may be alternative versions of this product, please contact us should you require this information.

IMPORTANT: No liability is accepted for incorrect use of product. Spare parts must be fitted by a competent person

WARRANTY: Guarantee is 12 months from purchase date, proof of which will be required for any claim.

Sealey Group, Kempson Way, Suffolk Business Park, Bury St Edmunds, Suffolk. IP32 7AR



01284 757500



01284 703534



sales@sealey.co.uk



www.sealey.co.uk



Parts Information:
Bench Grinder/Sharpener Wet & Dry
Ø200/125mm 250W/230V
Model No: SMS2107

Item	Part No.	Description
1	SMS2107.01	Wheel Guard Cover
2	SMS2107.02	Flange
3	SMS2107GW125D	Dry Stone Wheel Ø125mm for SMS2107
4	SMS2107.04	Wheel Guard, Inner
5	SCB840.SB	Socket Cap Bolt M8 X 40 Black
6	SMS2107.06	Lock Plate
7	SMS2107.07	Flat Washer (8mm)
8	SMS2107.08	Hex Screw (M8x14)
9	SMS2107.09	Phillips Screw (M4x10)
10	CBN616.SB	Coach Bolt M6x16mm Black
11	SMS2107.11	Eyeshield Bracket
12	SMS2107.12	Eyeshield
13	SMS2107.13	Flat Washer (6mm)
14	SN4.S	Steel Nut M4 Zinc
15	SN6.S	Steel Nut M6 Zinc
16	SMS2107.16	Phillips Screw (c/w Spring Washer) M6x18
17	SMS2107.17	Lock Nut
18	SMS2107GW200W	Wet Stone Wheel Ø200mm For SMS2107
19	SMS2107.19	Flow Adjustment Lever
20	SMS2107.20	Water Cup
21	SMS2107.21	Flange
22	SMS2107.22	Wet Wheel Guard Cover
23	SMS2107.23	Hex Socket Screw (M6x45)
24	SN6.S	Steel Nut M6 Zinc
25	SMS2107.25	Tool Holder Rest
26	SMS2107.26	Tool Holder Plate
27	SMS2107.27	Tool Holder Base
28	SCB820.SB	Socket Cap Bolt M8 X 20 Black
29	SMS2107.29	Spring Pin M6 X 45
30	SMS2107.30	Adjusting Rod
31	SMS2107.31	Adjusting Handle
32	SMS2107.32	Pin (4x20)
33	SMS2107.33	Hex Socket Screw (M8x20)
34	SMS2107.34	Support
35	SN10.S	Steel Nut M10 Zinc
36	SMS2107.36	Adjusting Screw
37	SMS2107.37	Phillips Screw (c/w Flat Washer)
38	SMS2107.38	Plastic Pipe
39	SMS2107.39	Case Body Cover
40	SMS2107.40	Sealing Gasket
41	SMS2107.41	Worm Gear
42	SMS2107.42	Spring Pin M4 X 22
43	SMS2107.43	Phillips Screw (c/w Spring Washer+Washer) M4x8
44	SMS2107.44	Worm Gear Shaft

Item	Part No.	Description
45	SMS2107.45	Bushing
46	SMS2107.46	Gear Box
47	SMS2107.47	Eyeshield Support
48	SMS2107.48	Right End Cap
49	SMS2107.49	Rotor
50	SMS2107.50	Stator
51	SMS2107.51	Left End Cap
52	SMS2107.52	Phillips Screw (c/w Washer) M4x145
53	SMS2107.53	Spring Washer (8mm)
54	SMS2107.54	Tool Rest
55	SMS2107.55	Tool Rest Support
56	SMS2107.56	Flat Washer (6mm)
57	SMS2107.57	Base
58	SMS2107.58	Phillips Screw (M5x8)
59	SMS2107.59	Switch (On/Off) Rocker c/w Cover 16A 250V
60	SMS2107.60	Phillips Screw (c/w Washer) M5x16
61	SMS2107.61	Spacer Plate
62	SMS2107.62	Rubber Foot
63	SMS2107.63	Capacitor
64	SMS2107.64	Capacitor Support
65	SN8.S	Steel Nut M8 Zinc
66	SMS2107.66	Phillips Screw (c/w Spring Washer) M5x10
67	SMS2107.67	Plug & Cord
68	GSA07.41	Ext Circlip 13.7mm Id.
69	SMS2107.69	Bearing
70	SMS2107.70	Worm Shaft
71	SMS2107.71	Bearing
72	SMS2107.72	Lock Washer (4mm)
73	SMS2107.73	Guard Ring (A)
74	SMS2107.74	Guard Ring (B)
75	SMS2107.75	Phillips Screw (M6x8)
76	SMS2107.76	Angle Scale
77	SMS2107.77	Cord Bushing
78	SMS2107.78	Wavey Washer
79	SMS2107.79	Rubber Bushing
80	SN12.S	Steel Nut M12 Zinc
81	800TTJ.227	Spring Pin M4 X 25
82	SS812.SB	Hex Head Set Screw M8 X 12 Black
83	SMS2107.83	Spring Washer (5mm)
84	MSP512.SB	Machine Screw Pan Head Phillips M5x12mm Black
85	SMS2107.85	Switch Plate
86	SMS2107.86	O-Ring, (Ex: 59.34 In: 53.47 Cs: 2.94)
87	SMS2107.87	Special Wrench
88	SMS2107.88	Internal Hex Wrench

NOTE: It is our policy to continually improve products and as such we reserve the right to alter data, specifications and component parts without prior notice. There may be alternative versions of this product, please contact us should you require this information.

IMPORTANT: No liability is accepted for incorrect use of product. Spare parts must be fitted by a competent person

WARRANTY: Guarantee is 12 months from purchase date, proof of which will be required for any claim.

Sealey Group, Kempson Way, Suffolk Business Park, Bury St Edmunds, Suffolk. IP32 7AR



01284 757500



01284 703534



sales@sealey.co.uk



www.sealey.co.uk