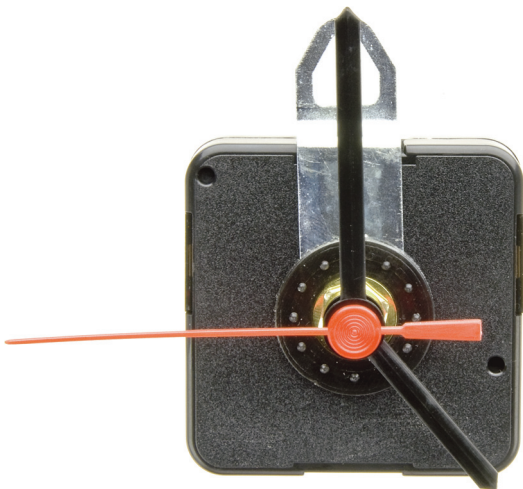
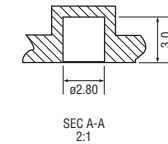
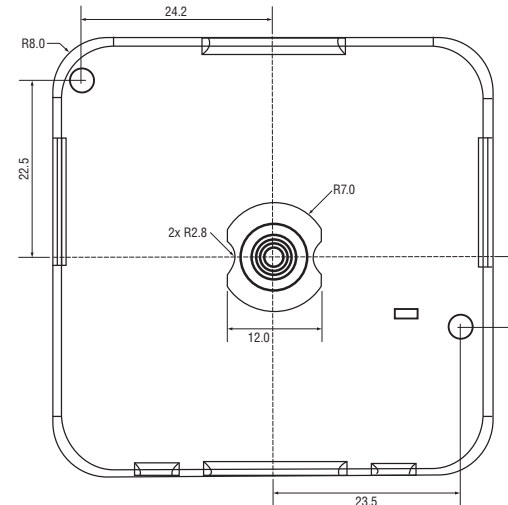
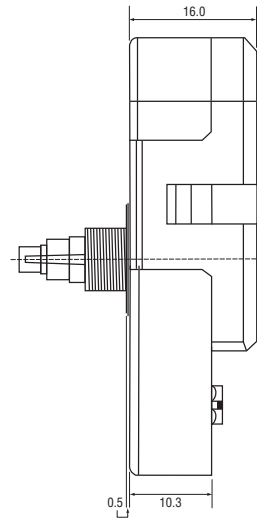
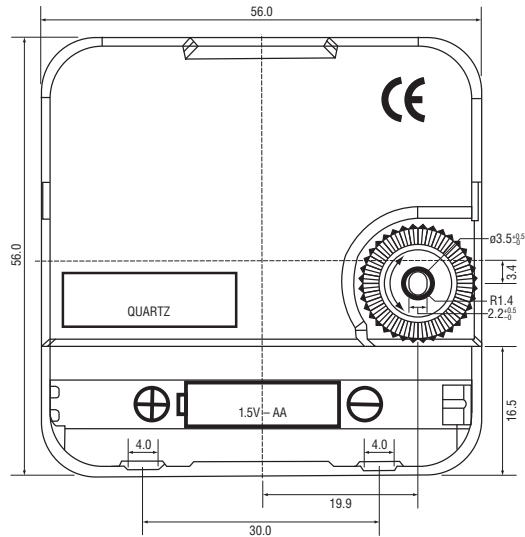


Order code: **85-1430**



Specifications

Crystal oscillator:	32.758kHz	
Accuracy at 24°±2	±30sec/mnth at 1.5V	
Operating voltage:	1.3V to 1.7V	
Operating temperature:	-10°C TO +50°C	
Motor type:	Two-pole stepping motor	
Average consumption current		
Normal:	Less than 16µA at 1.5V	
Output torque:	Over 160µNm	
Battery size:	AA size (R6)	
Battery life:	Over 1 year	
Allowed hand	Length	
Minute:	Less than 160mm	Weight
Second:	Less than 130mm	6g
		6g

