

# UNITED KINGDOM 3-PIN PLUG-IN POWER SUPPLY 6VDC 18WATT



## SW3264-B

### Features:

- United Kingdom Fixed AC Head
- 1 Year Warranty
- Level VI Efficiency
- CE Approved



### Description:

The Stontronics Range of Class II 18 watt AC/DC United Kingdom plug-in power supplies provide 18 watts of continuous power in a compact fixed wall plug enclosure suitable for use in many general power applications.

Specification	
Part Number	SW3264-B
Input Voltage Range	90-264Vac
Input Frequency Range	47-63Hz
Input Current Rated	0.5A Max
Output Voltage Rating	6V
Output Current Range	3A
Output Min Current	0.05A
Output Connection Type	2.1x5.5x12mm Centre Positive – Straight Angle
Total Output Regulation	+/- 5%
Line and Load Regulation	+/- 5%
Ripple & Noise	200mVp-p
Efficiency	80.29% Min
Over Voltage Protection	The output voltage should be clamped
Over Load Protection	The power supply will be protection when output power at 110-200% of all rated dc output.
Operating Temperature	0°C to 40°C
Storage Temperature	-20°C to +60°C
Operating Humidity	10% to 90%
Storage Humidity	10% to 90%
Hi-Pot	3000Vac 10mA 1min
Leakage Current	0.25mA max
Safety Standard	Meet T-LICENSE(BS EN60950-1)
EMI Standard	Meet CE(EN55022)
MTBF	50K Hours
Size mm max.	93(L) x 47 (W) x 34.2 (H) mm
Weight	181 g
Regulator Type	Switched Mode Power Supply

#### General Note

TT Electronics reserves the right to make changes in product specification without notice or liability. All information is subject to TT Electronics' own data and is considered accurate at time of going to print.

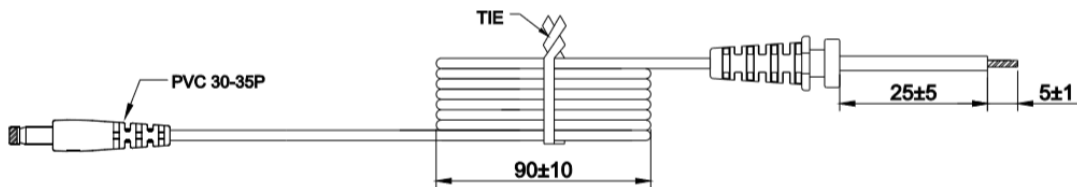
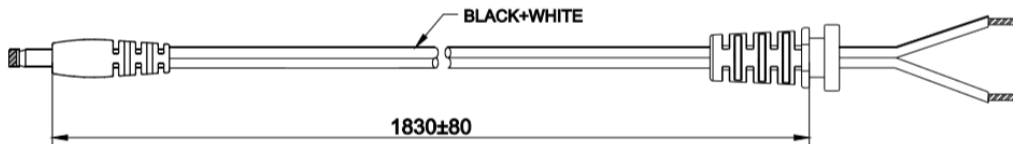
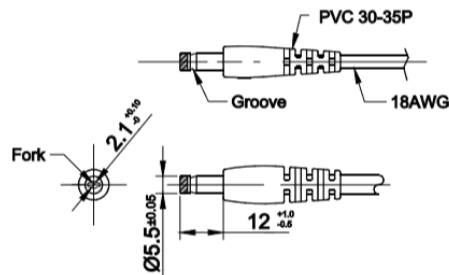
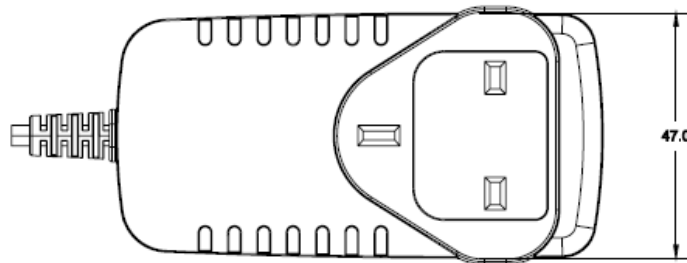
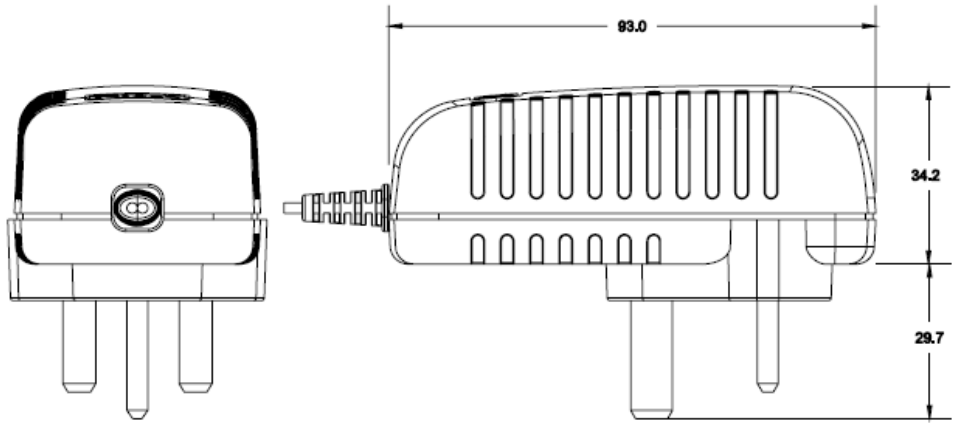
TT Electronics | Stontronics Ltd  
Chancerygate Business Centre, Cradock Road, Reading RG2 0AH, UK  
t: +44 (0) 118 931 1199

# UNITED KINGDOM 3-PIN PLUG-IN POWER SUPPLY 12VDC 6WATT



SW3264-B

## Diagrams



General Note  
TT Electronics reserves the right to make changes in product specification without notice or liability. All information is subject to TT Electronics' own data and is considered accurate at time of going to print.

TT Electronics | Stontronics Ltd  
Chancerygate Business Centre, Cradock Road, Reading RG2 0AH, UK  
t: +44 (0) 118 931 1199