

UNITED KINGDOM 3-PIN PLUG-IN POWER SUPPLY 5VDC 7.5 WATT



SW3517-VI

Features:

- United Kingdom Fixed AC Head
- 1 Year Warranty
- Level VI Efficiency
- CE Approved



Description:

The Stontronics Range of Class II 7.5 watt AC/DC United Kingdom plug-in power supplies provide 7.5 watts of continuous power in a compact fixed wall plug enclosure suitable for use in many general power applications.

Specification	
Part Number	SW3517-VI
Input Voltage Range	90-264Vac
Input Frequency Range	50-60Hz
Input Current Rated	0.4A max
Output Voltage Rating	+5V
Output Current Range	1.5A
Output Min Current	0.01A
Output Connection Type	2.1x5.5x12mm Centre Positive – Straight
Total Output Regulation	+/- 5%
Line and Load Regulation	+/- 5%
Ripple & Noise	100mVp-p
Efficiency	76.65% Min
Over Voltage Protection	10Vdc Max
Over Load Protection	3amp Max
Operating Temperature	0°C to 50°C
Storage Temperature	-20°C to +80°C
Operating Humidity	10% to 90%
Storage Humidity	10% to 90%
Hi-Pot	3000Vac 10mA 1min
Leakage Current	0.25mA max
Safety Standard	Meet T-LICENSE(BS EN60950-1), Declared& CE Mark
EMI Standard	FCC part 15: Class B EN55022:2010, Class B GB9254-2008, GB17625.1-2012
MTBF	50K Hours
Size mm max.	78.98(L) x 49.5 (W) x 37.7(H) mm
Weight	110g
Regulator Type	Switched Mode Power Supply

General Note

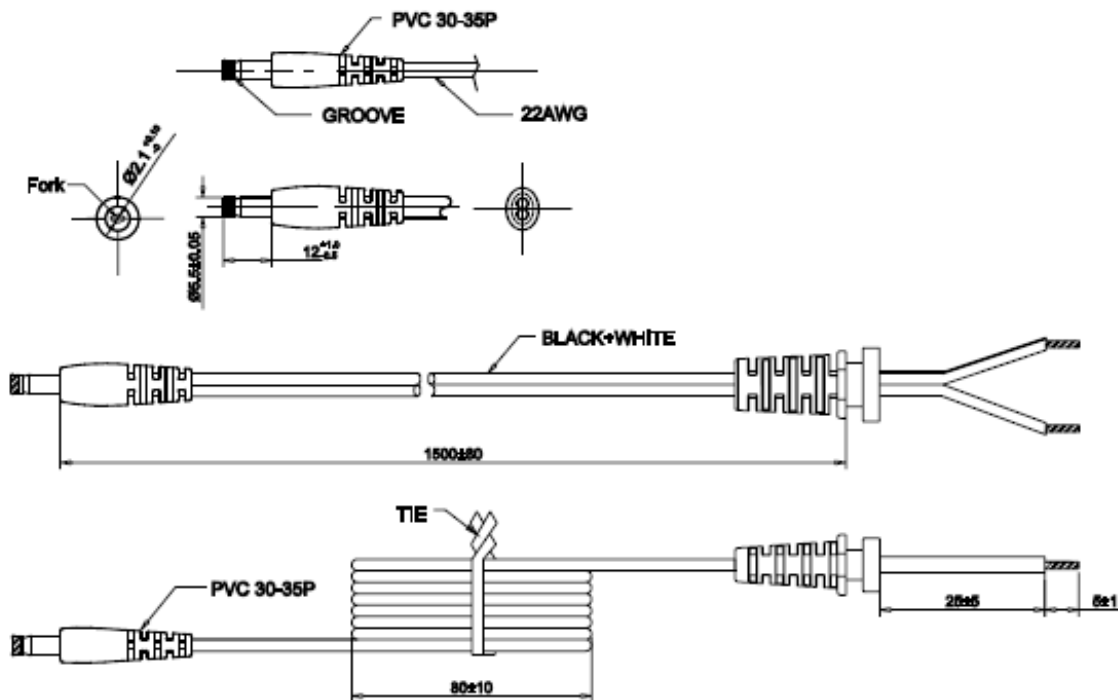
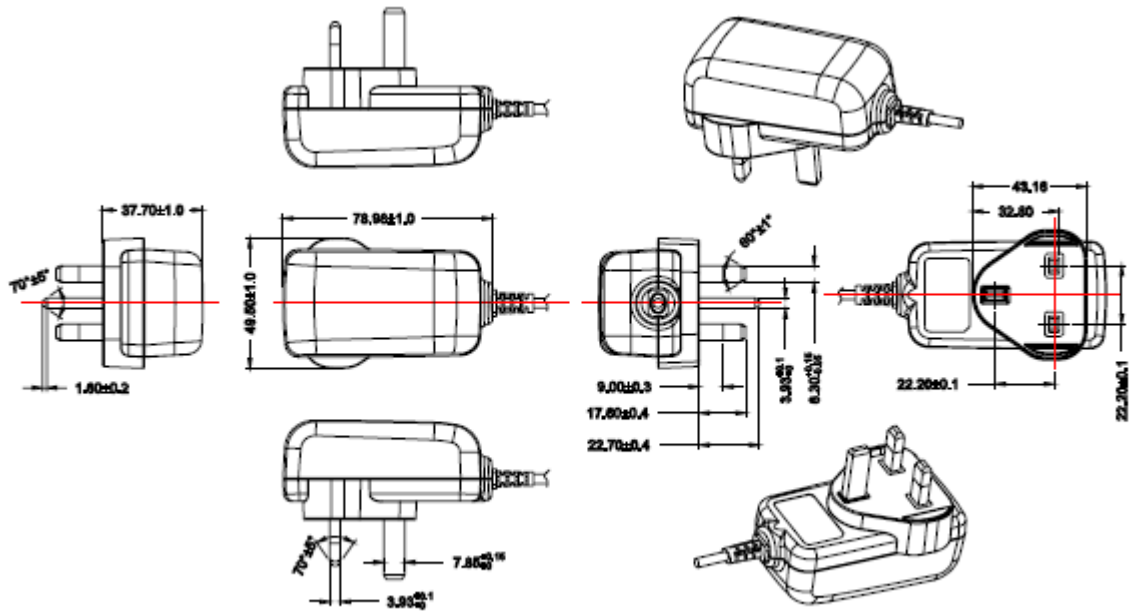
TT Electronics reserves the right to make changes in product specification without notice or liability. All information is subject to TT Electronics' own data and is considered accurate at time of going to print.

UNITED KINGDOM 3-PIN PLUG-IN POWER SUPPLY 5VDC 7.5 WATT



SW3517-VI

Diagrams



General Note
TT Electronics reserves the right to make changes in product specification without notice or liability. All information is subject to TT Electronics' own data and is considered accurate at time of going to print.

TT Electronics | Stontronics Ltd
Chancerygate Business Centre, Cradock Road, Reading RG2 0AH, UK
t: +44 (0) 118 931 1199