



## THERMAPEN™ TRIM FUNCTION ADJUSTMENT

The reading 'trim' function is designed to apply a single point offset to the readings displayed by the Thermapen. This will allow the user to optimise the readings in a narrow temperature band to give higher accuracy readings.

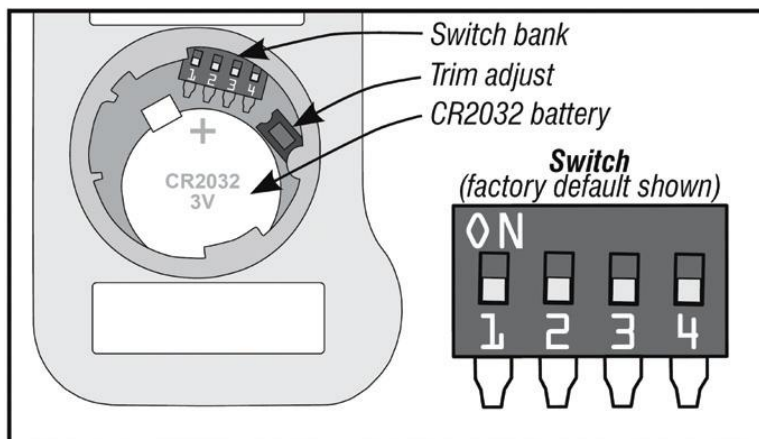
**Please note that the trim value is applied to all readings and may reduce the accuracy in other areas of the overall temperature range of the Thermapen.**

### IMPORTANT

**AN ACCURATE, STABLE TEMPERATURE SOURCE IS REQUIRED FOR THIS PROCEDURE. BY NOT USING AN ACCURATE, STABLE TEMPERATURE SOURCE THE ACCURACY OF THE THERMAPEN WILL BE REDUCED.**

To perform the trim, follow the instructions below.

- Open the battery cover.



- Insert the probe in the accurate temperature source and note the READING DIFFERENCE from the source temperature.
- Using a paper clip or other similar pointed object move the switch position 4 to 'On' (away from battery) The display will show 'trim' and then 't 0.0°C'
- Press the trim adjust button until the trim value displayed in the Thermapen display numerically matches, but in the opposite direction to the DIFFERENCE observed in the previous step. E.g. if the displayed reading is -0.5°C lower than the source temperature apply a +0.5°C trim.  
**[Pressing the 'trim adjust' switch increments the trim reading in 0.1°C steps from 0.0 to +2.0 then -2.0 to 0.0°C]**
- Move the switch position 4 to 'Off' (towards the battery) and check the displayed temperature matches the temperature source.
- Replace the battery cover and tighten.

Issue A 14/02/2012



FM38039

[www.etiltd.com](http://www.etiltd.com)

e-mail: [sales@etiltd.co.uk](mailto:sales@etiltd.co.uk)

Registered Office: Easting Close, Worthing, West Sussex BN14 8HQ  
Registered in England 1746462



0601