

UNITED KINGDOM 3-PIN PLUG-IN POWER SUPPLY 12VDC 12WATT



T6164ST

Features:

- United Kingdom Fixed AC Head
- 1 Year Warranty
- Level VI Efficiency
- CE Approved



Description:

The Stontronics Range of Class II 12 watt AC/DC United Kingdom plug-in power supplies provide 12 watts of continuous power in a compact fixed wall plug enclosure suitable for use in many general power applications.

| Specification | |
|--------------------------|--|
| RS Stock Number | T6164ST |
| Input Voltage Range | 90-264Vac |
| Input Frequency Range | 47-63Hz |
| Input Current Rated | No Damage |
| Output Voltage Rating | +5V |
| Output Current Range | 2.5A |
| Output Min Current | 0A |
| Output Connection Type | 2.1x5.5x12mm Centre Positive – Right Angle |
| Total Output Regulation | +/- 5% |
| Line and Load Regulation | +/- 2% |
| Ripple & Noise | 300mVp-p |
| Efficiency | 80.59% Min |
| Over Voltage Protection | 10VDC Maximum |
| Over Load Protection | 5A max with auto-recovery function |
| Operating Temperature | 0 to 40°C |
| Storage Temperature | -20 to +60°C |
| Operating Humidity | 20 to 85% |
| Storage Humidity | 5 to 95% |
| Hi-Pot | 3000VAC 10mA 1min |
| Leakage Current | 0.25mA max |
| Safety Standard | Meet T-LICENSE(BS EN60950-1) |
| EMI Standard | Meet CE(EN55022) |
| MTBF | 50K Hours |
| Size mm max. | 70 (L) 50 (W) * 77(H) mm |
| Weight | 120 g |
| Regulator Type | Switched Mode Power Supply |

General Note

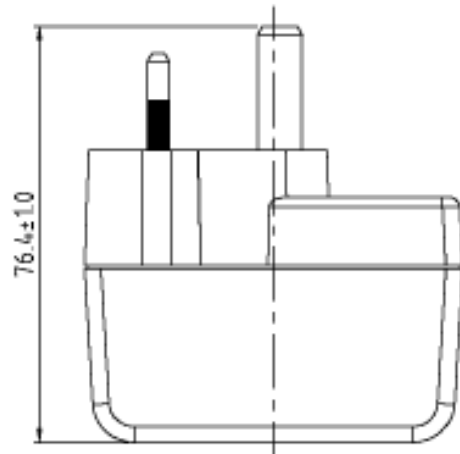
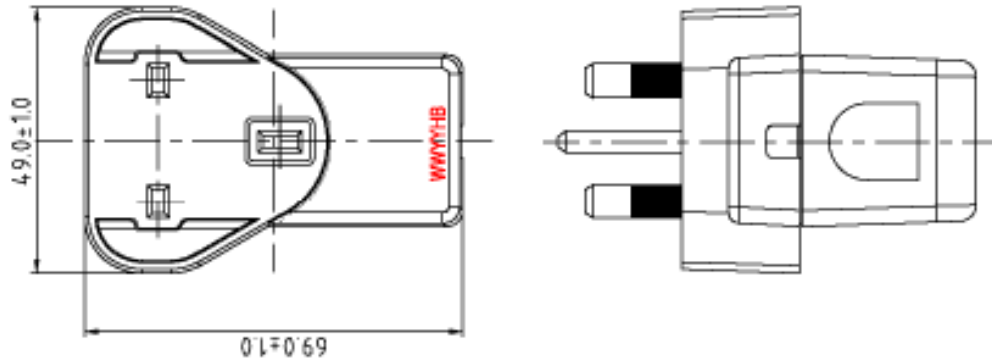
TT Electronics reserves the right to make changes in product specification without notice or liability. All information is subject to TT Electronics' own data and is considered accurate at time of going to print.

TT Electronics | Stontronics Ltd
Chancerygate Business Centre, Cradock Road, Reading RG2 0AH, UK
t: +44 (0) 118 931 1199

UNITED KINGDOM 3-PIN PLUG-IN POWER SUPPLY 12VDC 12WATT

T61645T

Diagrams



CASE : Black

