

INSTALLATION POWER SUPPLY

12VDC 12WATT



T6362ST

Features:

- Level VI
- Universal / Full range AC input
- Fixed AC mains lead (Bare Ends)
- Class II power (no earth)
- Small & Compact design



Description:

The TT Range of 12 watt AC/DC Installation Power supplies are offered in a low profile compact enclosure with 4 mounting tabs, a fixed AC Input Cable and DC Output Cable, Single output voltage between 5vdc – 24vdc. These highly reliable power supplies can be used in many indoor applications such as CCTV, Access control and Building Management Systems.

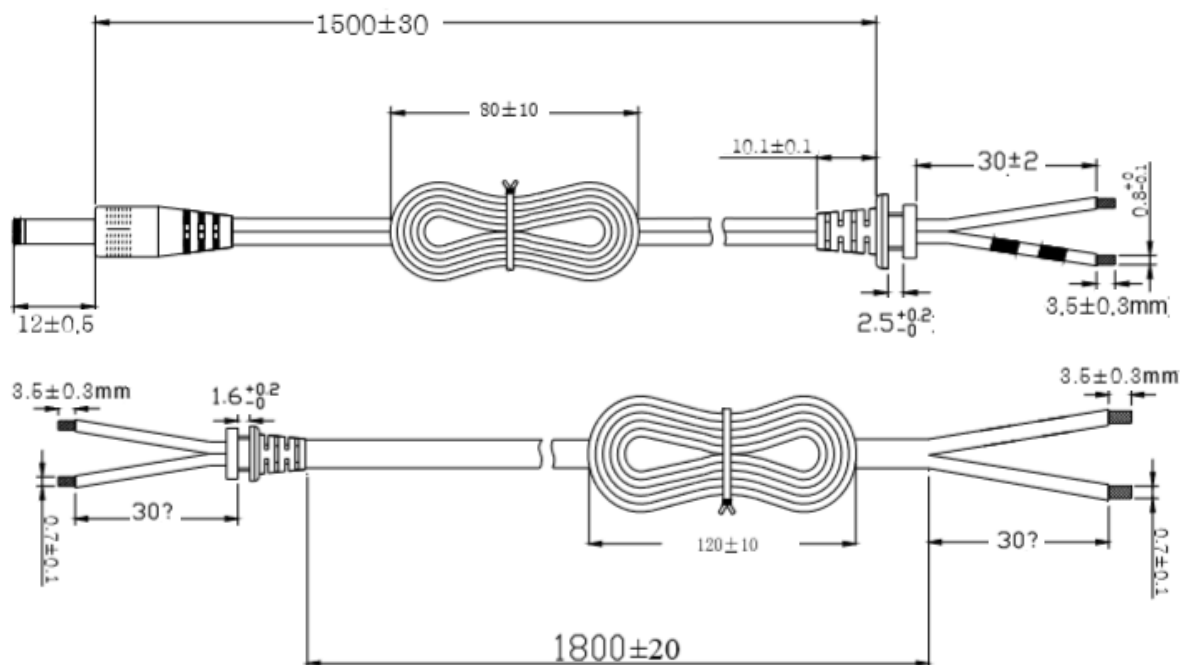
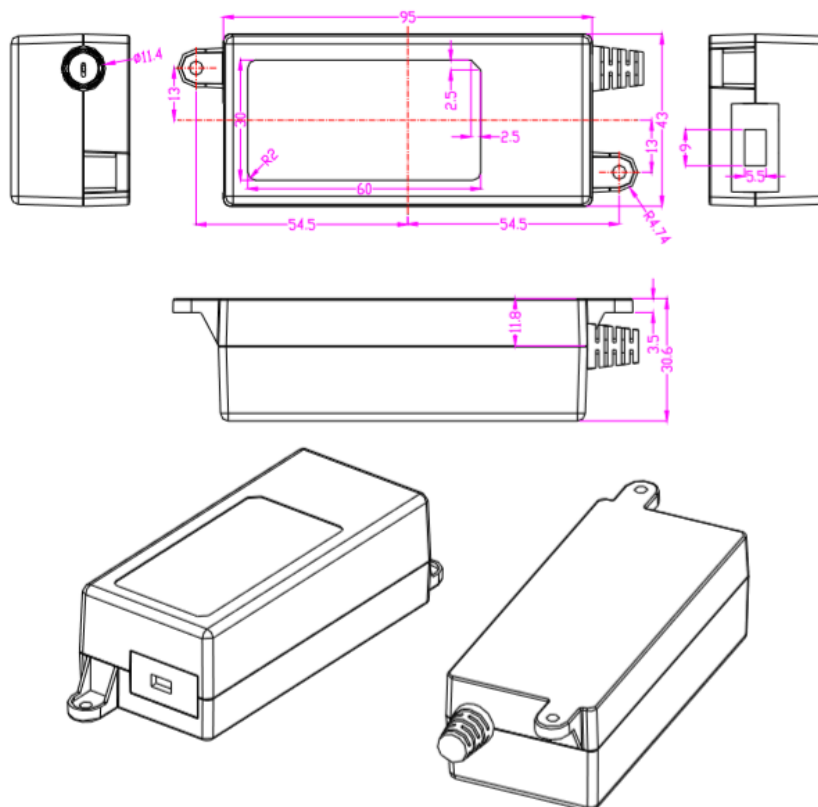
Specification	
Part Code	T6362ST
Voltage	12Vdc
Current Max	1A
Power (Watts)	12W
Line Regulation	+/-1%
Ripple & Noise	200mV
Protections	Over Current, Short Circuit,
Case Size (mm)	95 x 43 x 30.6
Weight	147.2g
DC Cord	1.5m
DC Plug	Straight 2.1 C+ve
Rated Input Voltage	100-240Vac
Full Input Voltage Range	90-264Vac
Full Frequency Range	47-63Hz
Efficiency	82.96%
Input Current RMS Max	500mA
Inrush Current	40Amax. @ 264Vac
Leakage Current	0.25mA max. at 264Vac / 50Hz
AC Mains Lead	1.8m Bare Ends
Hi-Pot	3000Vac / 10mA Max / 1 min.
Operating Temperature	0°C to 40°C
Storage Temperature	-10°C to 70°C
Operating Humidity	20% to 80%
Storage Humidity	10% to 90%
Safety Approvals	CE
EMI Standards	EN55022, EN61000-3-2
MTBF	50K

INSTALLATION POWER SUPPLY 12VDC 12WATT



T6362ST

Diagrams



General Note
TT Electronics reserves the right to make changes in product specification without notice or liability. All information is subject to TT Electronics' own data and is considered accurate at time of going to print.

TT Electronics | Stontronics Ltd
Chancerygate Business Centre, Cradock Road, Reading RG2 0AH, UK
t: +44 (0) 118 931 1199