

INSTALLATION POWER SUPPLY

12VDC 60WATT



T6366ST

Features:

- Level VI
- Universal / Full range AC input
- Fixed AC mains lead (Bare Ends)
- Class II power (no earth)
- Small & Compact design



Description:

The TT Range of 60 watt AC/DC Installation Power supplies are offered in a low profile compact enclosure with 4 mounting tabs, a fixed AC Input Cable and DC Output Cable, Single output voltage between 5vdc – 24vdc. These highly reliable power supplies can be used in many indoor applications such as CCTV, Access control and Building Management Systems.

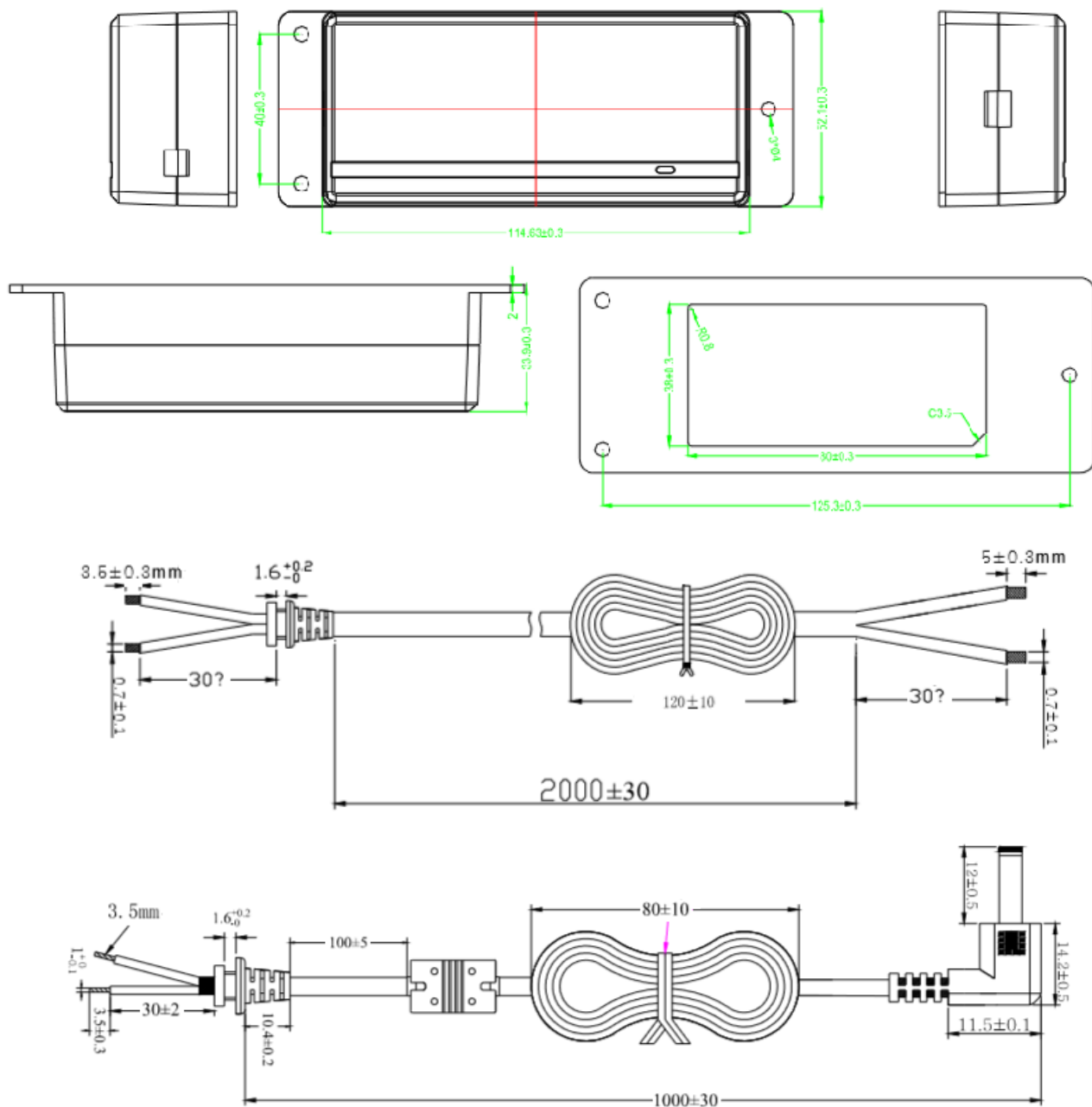
Specification	
Part Code	T6366ST
Voltage	12Vdc
Current Max	5A
Power (Watts)	60W
Line Regulation	+/-1%
Ripple & Noise	150mV
Protections	Over Voltage, Short Circuit, Temperature
Case Size (mm)	114 x 51 x 32
Weight	370g
DC Cord	1.5m
DC Plug	Right Angle 2.1 C+ve
Rated Input Voltage	100-240Vac
Full Input Voltage Range	90-264Vac
Full Frequency Range	47-63Hz
Efficiency	88%
Input Current RMS Max	1.5A
Inrush Current	264Vac - 40A max.
Leakage Current	<0.25mA
Input Power (No Load)	No Damage
AC Mains Lead	2m Bare Ends
Hi-Pot	3000Vac 10mA 1Min.
Operating Temperature	0°C to 40°C
Storage Temperature	-20°C to 80°C
Operating Humidity	10% to 90%
Storage Humidity	5% to 95%
Safety Approvals	CE
EMI Standards	EN55022, EN61000-3-2
MTBF	50K

INSTALLATION POWER SUPPLY 12VDC 60WATT



T6366ST

Diagrams



General Note
TT Electronics reserves the right to make changes in product specification without notice or liability. All information is subject to TT Electronics' own data and is considered accurate at time of going to print.

TT Electronics | Stontronics Ltd
Chancerygate Business Centre, Cradock Road, Reading RG2 0AH, UK
t: +44 (0) 118 931 1199