



## PCV20 Series

### 20W IP20 CONSTANT VOLTAGE LED LIGHTING POWER SUPPLY



#### Key Features:

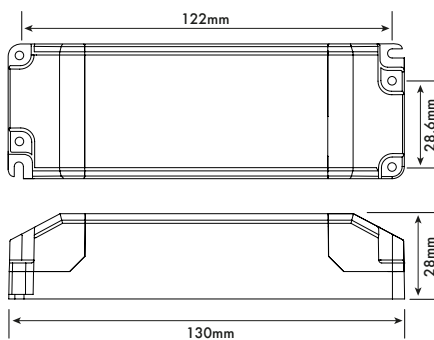
- Captive terminal screws for ease of installation
- Snap lock cable strain relief
- Over load, short circuit and thermal protection
- SELV equivalent
- Class II product
- RI suppression in accordance with EN55015
- Suitable for indoor lighting applications

#### PCV20 SPECIFICATION

Part Code	PCV1220	PCV2420
Input Voltage	220V ~ 240VAC	220V ~ 240VAC
Frequency	47 ~ 63 Hz	47 ~ 63 Hz
Power Factor	0.80	0.80
Output Voltage	12V	24V
Output Current	0 ~ 1.7A	0 ~ 0.83A
Power	20W	20W
R&N	450mV	750mV
Efficiency (TYP.)	82%	84%
Over Load	Auto Recovery	
Over Temperature	Thermal	
Temperature	Operating: -20 ~ +50°C; Storage: -20 ~ +70°C	
Safety Standard	Design refers to EN61347-1, EN61347-2-13	
EMI Standard	Meets Emissions to EN55015, EN61547, EN61000-3-2, EN61000-3-3	
Lifetime	50K hrs full load 25°C	
Packing	N.W.:0.06Kg / 1pc; 100pcs / 8Kgs 0.47CUFT / 1 CTN	
Connections	Screw terminal on I/P & O/P	Screw terminal on I/P & O/P
Weight	100g	100g
Dimensions	130 x 44 x 28mm	130 x 44 x 28mm



#### Mechanical



PowerLed (UK) Ltd  
Orion House  
Calleva Park  
Aldermaston  
Berkshire  
RG7 8SN

Contact:  
Tel: 0118 9703856  
enquiries@powerled.uk.com  
www.powerled.uk.com

