

# PCV12-20W Series

## 12W & 20W Constant Voltage Power Supplies

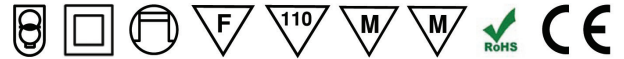


**PCV1212**  
Case: 8045FC  
98 x 39 x 22 mm

**PCV1220**  
Case: 8911BV  
130 x 44 x 28mm

### Features

- Captive terminal screws for ease
- Snap lock cable strain relief
- Over load, short circuit and thermal protection
- SELV equivalent
- Class II product
- RI suppression in accordance with EN55015
- Suitable for indoor lighting applications

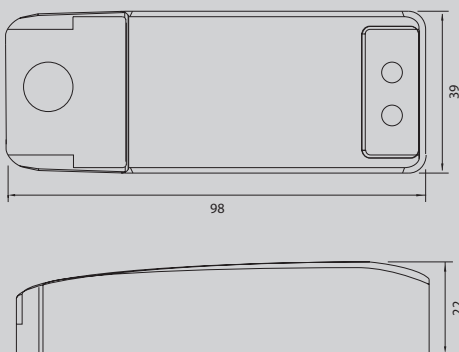


### Specification

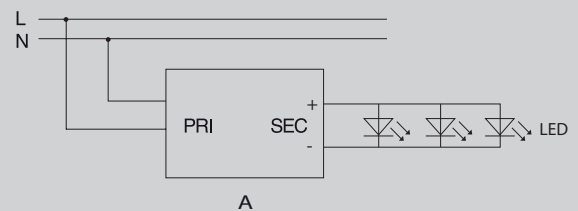
INPUT	Voltage	220V ~ 240VAC			
	Frequency	47 ~ 63 Hz			
	Power Factor	0.80			
OUTPUT	MODEL No.	PCV1212	PCV2412	PCV1220	PCV2420
	Voltage	12V	24V	12V	24V
	Current	0-1.0A	0-0.5A	0-1.7A	0-0.83A
	Power	12W	12W	20W	20W
	R&N	400mV	600mV	450mV	750mV
	Efficiency (TYP.)	80%	82%	82%	84%
PROTECTION	Over Load	Auto Recovery			
	Over Temperature	Thermal			
ENVIRONMENT	Temperature	Operating: -20 ~ +50°C; Storage: -20~ +70°C			
SAFETY & EMC	Safety Standard	Design refers to EN61347-1, EN61347-2-13			
	EMI Standard	Meets Emissions to EN55015, EN61547, EN61000-3-2, EN61000-3-3			
OTHERS	Lifetime	50K hrs full load 25°C			
	Packing	N.W.:0.06Kg / 1pc; 100pcs / 8Kgs 0.47CUFT / 1 CTN			
	Case	8045FC	8045FC	8911BV	8911BV

### PCV12W Mechanical Diagram (8045FC)

Case: 8045FC Unit: mm



### LED Configuration



# PCV12-20W Series

12W & 20W Constant Voltage Power Supplies



PCV20W Mechanical Diagram (8911BV)

