

INTERCHANGEABLE WALL PLUG POWER SUPPLY 9VDC 6WATT



T5885ST

Features:

- Interchangeable AC Heads
- 1 Year Warranty
- Level VI Efficiency
- Worldwide Approvals



Description:

The Stontronics range of 6 Watt Interchangeable wall plug power supplies provide 6. watts of continuous power with the flexibility of worldwide usage as they are supplied with UK, Euro & USA AC Heads, all Efficiency Level VI and carry world-wide safety approvals.

| Specification | |
|--------------------------|---|
| Part Code | T5885ST |
| Input Voltage Range | 90-264 Vac |
| Input Frequency Range | 47-63Hz |
| Input Current Rated | 300A Max |
| Input AC Heads | UK, Euro & USA |
| Output Voltage Rating | +9V |
| Output Current Range | 0.67A |
| Output Min Current | 0.0A |
| Output Connection Type | 2.1x5.5x12mm centre positive – Straight |
| Total Output Regulation | +/- 5% |
| Line and Load Regulation | +/- 2% |
| Ripple & Noise | 150mVp-p |
| Efficiency | 79.0%Min |
| Over Voltage Protection | Output shut down and auto restart |
| Over Load Protection | Output shut down and auto restart |
| Operating Temperature | 0 to 40°C |
| Storage Temperature | -10 to +70°C |
| Operating Humidity | 20 to 80% |
| Storage Humidity | 10 to 90% |
| Hi-Pot | 3000VAC 10mA 1min |
| Leakage Current | <0.25mA max |
| Safety Standard | UL/CUL CE CB GS RCM |
| EMI Standard | EN55022 C-TICK - AS/NZS CISPER22 |
| MTBF | 50K Hours |
| Size mm max. | 64 (L) 40.5 (W) 30(H) |
| Weight | 108 g |

General Note

TT Electronics reserves the right to make changes in product specification without notice or liability. All information is subject to TT Electronics' own data and is considered accurate at time of going to print.

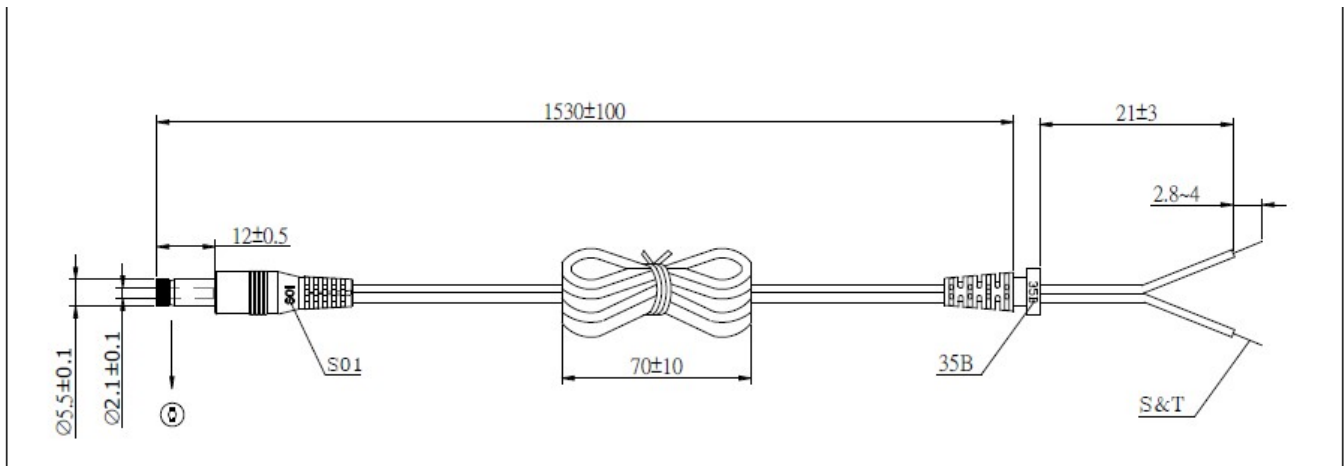
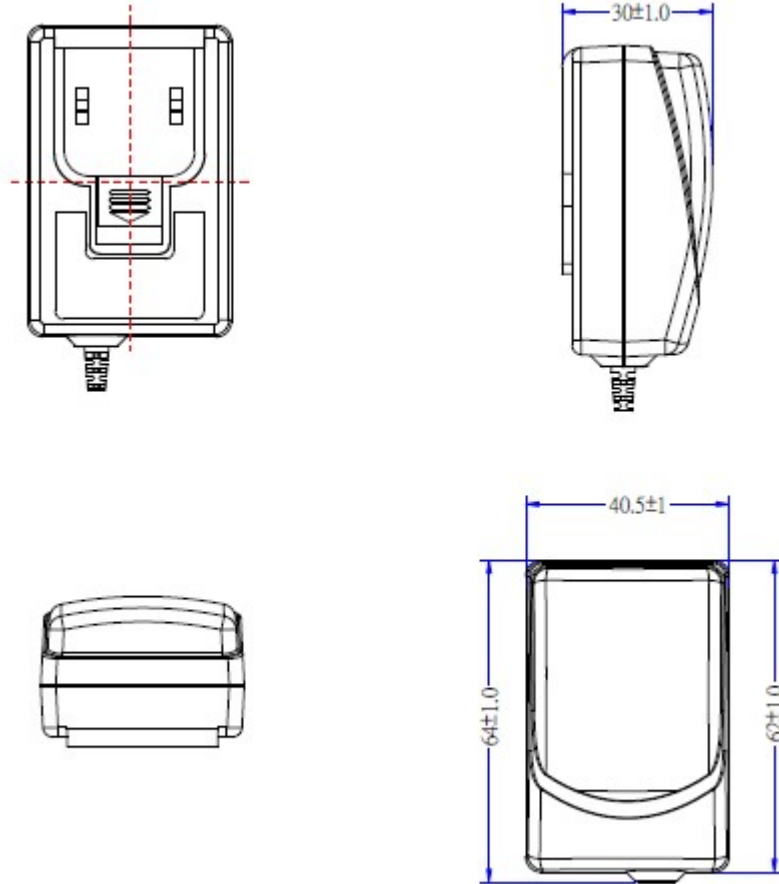
TT Electronics | Stontronics Ltd
Chancerygate Business Centre, Cradock Road, Reading RG2 0AH, UK
t: +44 (0) 118 931 1199

INTERCHANGEABLE WALL PLUG POWER SUPPLY 9VDC 6WATT



T5885ST

Diagrams



General Note
 TT Electronics reserves the right to make changes in product specification without notice or liability. All information is subject to TT Electronics' own data and is considered accurate at time of going to print.

TT Electronics | Stontronics Ltd
 Chancerygate Business Centre, Cradock Road, Reading RG2 0AH, UK
 t: +44 (0) 118 931 1199