

INTERCHANGEABLE WALL PLUG POWER SUPPLY 12VDC 6WATT



T5781ST

Features:

- Interchangeable AC Heads
- 1 Year Warranty
- Level VI Efficiency
- Worldwide Approvals



Description:

The Stontronics range of 6 Watt Interchangeable wall plug power supplies provide 6 watts of continuous power with the flexibility of worldwide usage as they are supplied with UK, Euro & USA AC Heads, all Efficiency Level VI and carry worldwide safety approvals.

Specification	
Part Code	T5781ST
Input Voltage Range	90-264 Vac
Input Frequency Range	47-63Hz
Input Current Rated	300A Max
Input AC Heads	UK, Euro & USA
Output Voltage Rating	+12V
Output Current Range	0.5A
Output Min Current	0.0A
Output Connection Type	2.1x5.5x12mm centre positive – Straight
Total Output Regulation	+/-5
Line and Load Regulation	+/-2
Ripple & Noise	<200mVp-p
Efficiency	79.0%Min
Over Voltage Protection	Output shut down and auto restart
Over Load Protection	Output shut down and auto restart
Operating Temperature	0°C to +40°C
Storage Temperature	-10°C to +70°C
Operating Humidity	20% to 80%
Storage Humidity	10% to 90%
Hi-Pot	3000Vac 10mA 1min
Leakage Current	<0.25mA max
Safety Standard	UL/CUL CE CB GS RCM
EMI Standard	EN55022 C-TICK - AS/NZS CISPER22
MTBF	50k hours
Size mm max.	64 (L) x 40.5 (W) x 30 (H)
Weight	108 g

General Note

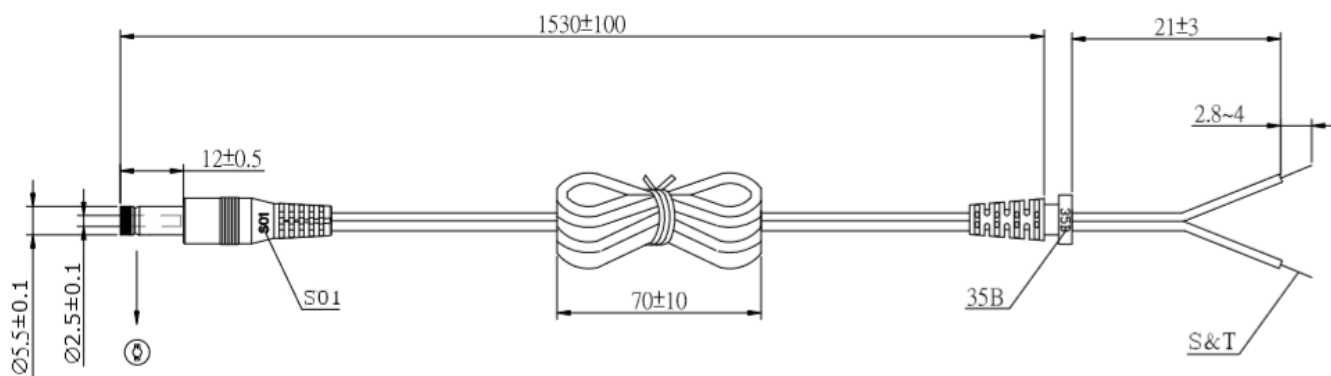
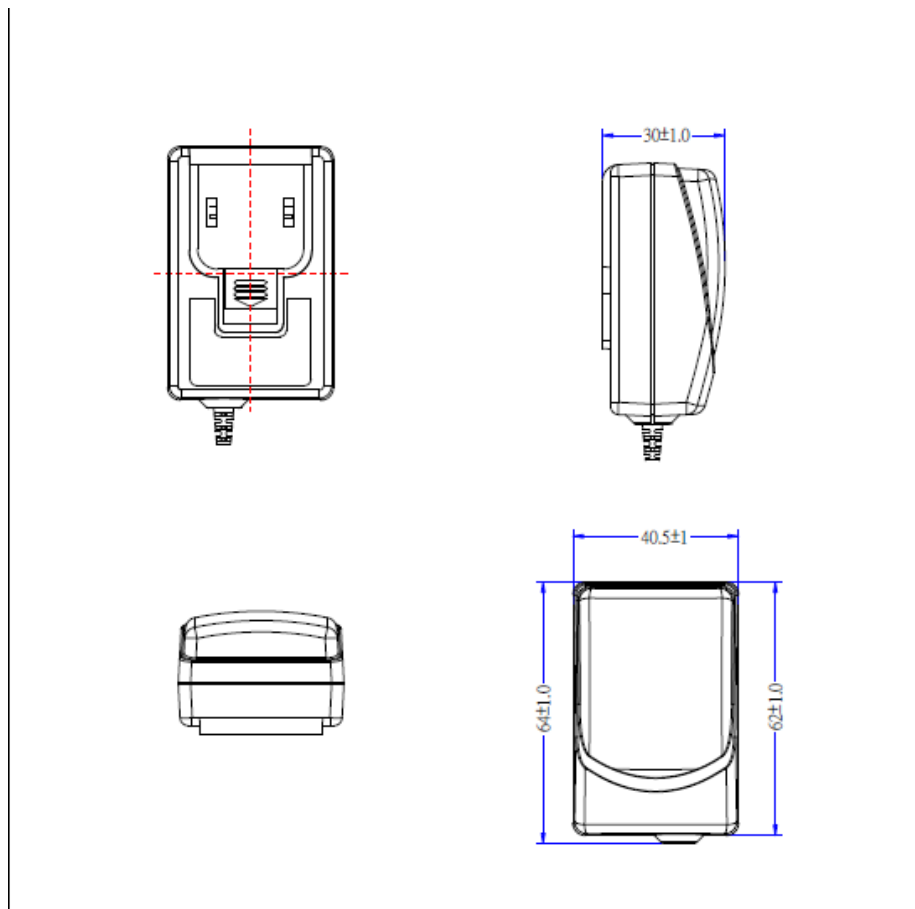
TT Electronics reserves the right to make changes in product specification without notice or liability. All information is subject to TT Electronics' own data and is considered accurate at time of going to print.

TT Electronics | Stontronics Ltd
Chancerygate Business Centre, Cradock Road, Reading RG2 0AH, UK
t: +44 (0) 118 931 1199

INTERCHANGEABLE WALL PLUG POWER SUPPLY 12VDC 6WATT

T5781ST

Diagrams



Tuning fork cannellure entire insulation type