

INTERCHANGEABLE WALL PLUG POWER SUPPLY 24VDC 40WATT



T5778ST

Features:

- Interchangeable AC Heads
- 1 Year Warranty
- Level VI Efficiency
- Worldwide Approvals



Description:

The Stontronics range of 40 Watt Interchangeable wall plug power supplies provide 40 watts of continuous power with the flexibility of worldwide usage as they are supplied with UK, Euro, USA AC Heads , all Efficiency Level VI and carry worldwide safety approvals.

Specification	
Part Code	T5778ST
Input Voltage Range	90-264 Vac
Input Frequency Range	47-63Hz
Input Current Rated	1.0A Max
Input AC Heads	UK, Euro, USA
Output Voltage Rating	+24V
Output Current Range	1.7A Max
Output Min Current	0.A Max
Output Connection Type	2.1x5.5x12mm centre positive – Straight
Total Output Regulation	+/- 5%
Line and Load Regulation	+/- 5%
Ripple & Noise	240mVp-p
Efficiency	87%Min
Over Voltage Protection	30V Max
Over Load Protection	☒ 2.6A Output Load
Operating Temperature	0 to 40°C
Storage Temperature	-20 to +60°C
Operating Humidity	20 to 85%
Storage Humidity	5 to 95%
Hi-Pot	3000VAC 10mA 1min
Leakage Current	0.25mA max
Safety Standard	UL/CUL,GS,CE(LVD),RCM
EMI Standard	meet FCC class B , CE ,VCCI – II
MTBF	50K Hours
Size mm max.	90(L) 38 (W) 59(H) mm
Weight	200 g

General Note

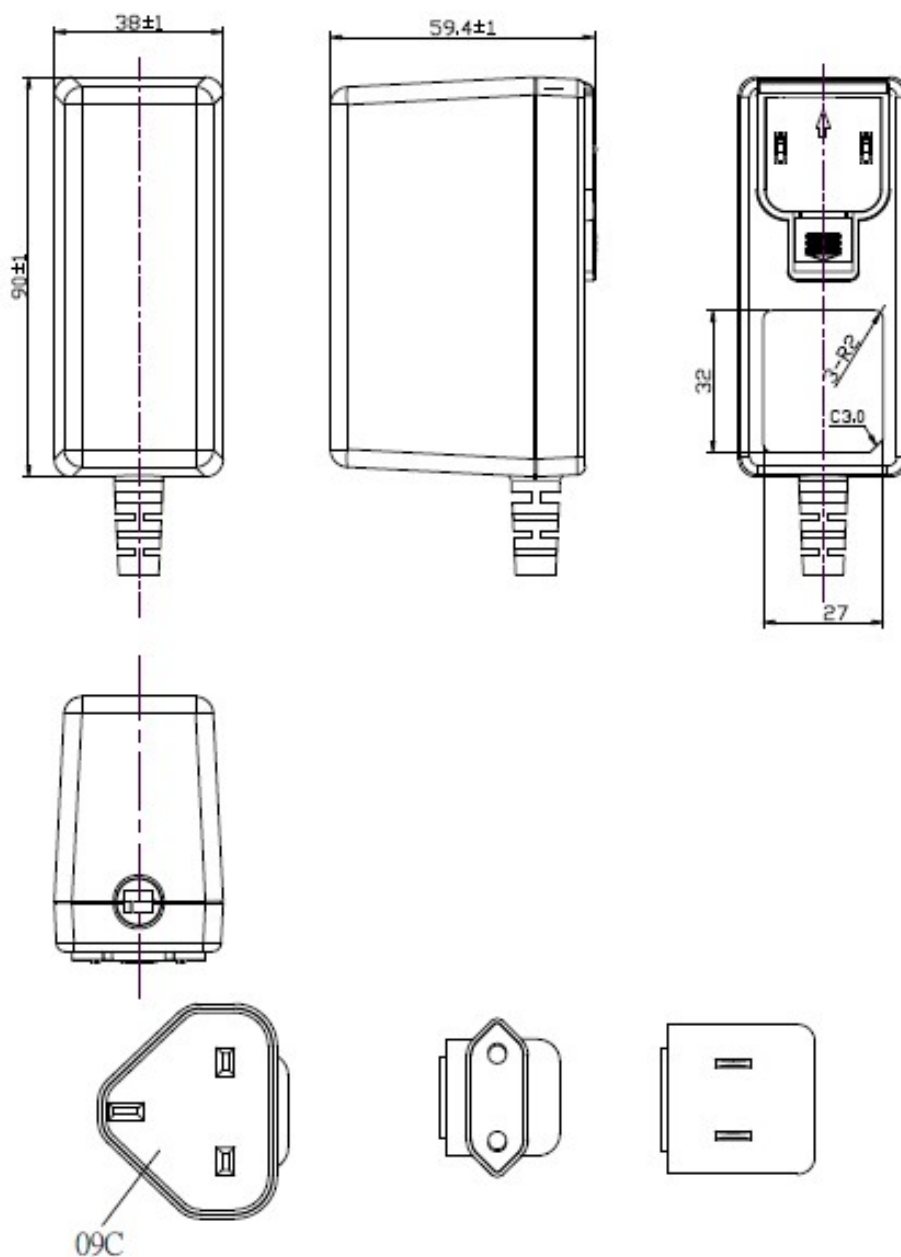
TT Electronics reserves the right to make changes in product specification without notice or liability. All information is subject to TT Electronics' own data and is considered accurate at time of going to print.

TT Electronics | Stontronics Ltd
Chancerygate Business Centre, Cradock Road, Reading RG2 0AH, UK
t: +44 (0) 118 931 1199

INTERCHANGEABLE WALL PLUG POWER SUPPLY 24VDC 40WATT

T5778ST

Diagrams



General Note

TT Electronics reserves the right to make changes in product specification without notice or liability. All information is subject to TT Electronics' own data and is considered accurate at time of going to print.