

# INTERCHANGEABLE WALL PLUG POWER SUPPLY 5VDC 5WATT



## T5866ST

### Features:

- Interchangeable AC Heads
- 1 Year Warranty
- Level VI Efficiency
- Worldwide Approvals



### Description:

The Stontronics range of 5 Watt Interchangeable wall plug power supplies provide 5 watts of continuous power with the flexibility of worldwide usage as they are supplied with UK, Euro, USA & Auz AC Heads , all Efficiency Level VI and carry worldwide safety approvals.

Specification	
Part Code	T5866ST
Input Voltage Range	90-264 Vac
Input Frequency Range	47-63Hz
Input Current Rated	0.3A Max
Input AC Heads	UK, Euro, USA & Auz
Output Voltage Rating	+5V
Output Current Range	1A
Output Min Current	0A
Output Connection Type	2.1x5.5x12mm centre positive – Right angle
Total Output Regulation	+/- 5%
Line and Load Regulation	+/- 5%
Ripple & Noise	300mVp-p
Efficiency	73.77%Min
Over Voltage Protection	10V maximum
Over Current Protection	1.5A maximum with auto-recovery function
Short-Circuit Protection	No damage
Operating Temperature	0°C to 40°C
Storage Temperature	-20°C to +60°C
Operating Humidity	20% to 85%
Storage Humidity	5% to 95%
Hi-Pot	3000VAC 10mA 1min
Leakage Current	0.25mA max
Safety Standard	Meets TUV-GS(EN60950-1)
EMI Standard	Meets CE(EN55022)
MTBF	50K Hours
Size mm max.	47.3 (L) x 34.8 (W) x 26.7 (H) mm
Weight	80 g

#### General Note

TT Electronics reserves the right to make changes in product specification without notice or liability. All information is subject to TT Electronics' own data and is considered accurate at time of going to print.

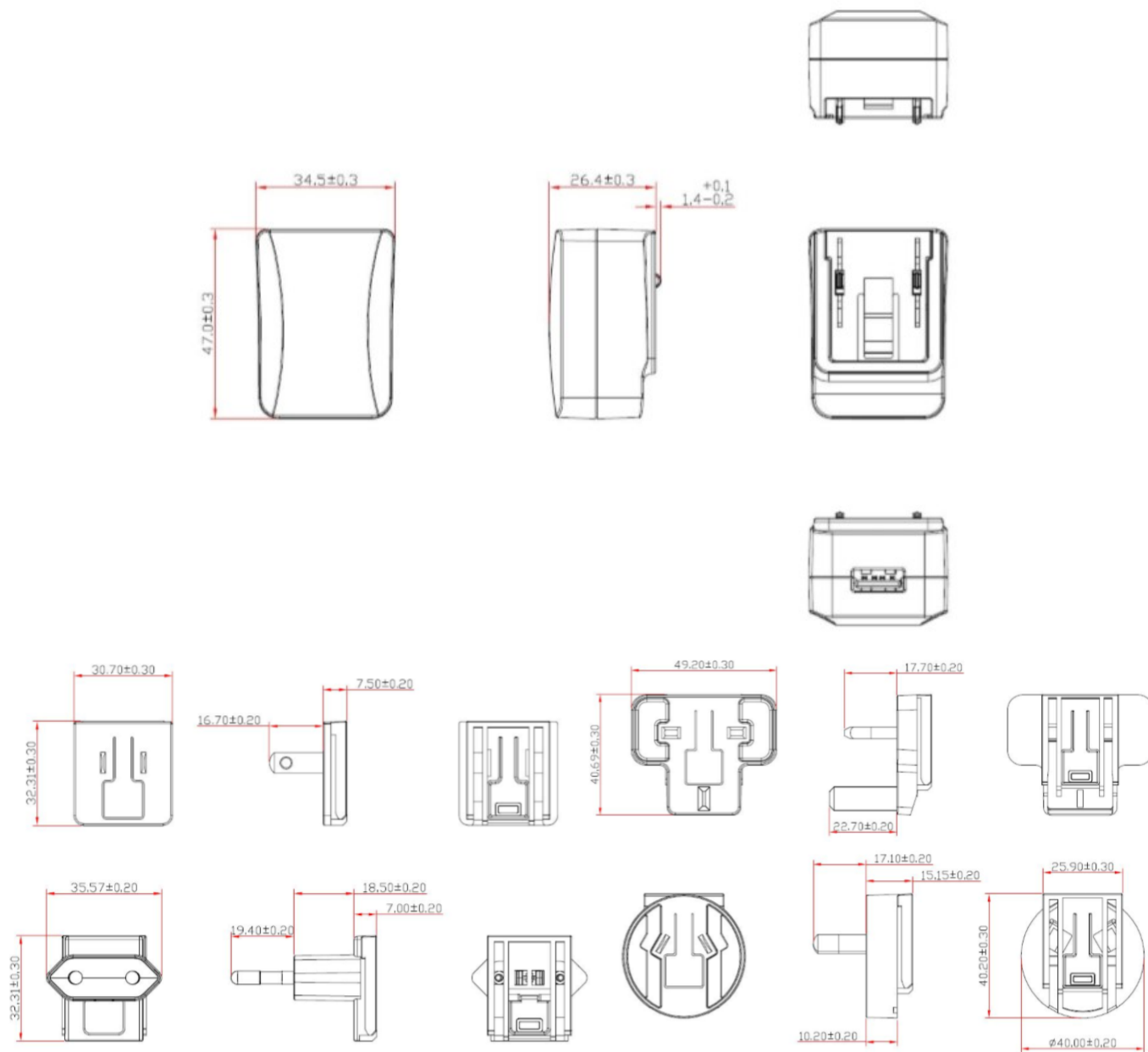
TT Electronics | Stontronics Ltd  
Chancerygate Business Centre, Cradock Road, Reading RG2 0AH, UK  
t: +44 (0) 118 931 1199

# INTERCHANGEABLE WALL PLUG POWER SUPPLY 5VDC 5WATT



T5866ST

## Diagrams



General Note  
TT Electronics reserves the right to make changes in product specification without notice or liability. All information is subject to TT Electronics' own data and is considered accurate at time of going to print.

TT Electronics | Stontronics Ltd  
Chancerygate Business Centre, Cradock Road, Reading RG2 0AH, UK  
t: +44 (0) 118 931 1199