

EXTERNAL DESKTOP POWER SUPPLY

12VDC 42WATT



T5865ST

Features:

- Universal Input
- IEC-320-c14 Input Connector
- 3 Year Warranty
- Efficiency Level VI
- Safety approved to: UL,CUL,TUV-GS,CCC,PSE



Description:

The Stontronics Range of 42 watt AC/DC switch mode power supplies provide 42 watts of continuous output power in a high quality compact enclosure suitable for many general power applications.

Specification	
Part Number	T5865ST
Input Voltage Range	90 → 264 Vac
Input Frequency Range	47 → 63Hz
Input Connector	IEC 320-C14
Input Current Rated	1.2A
Inrush Current	115 VAC, 60Hz INPUT ,230 VAC, 50Hz INPUT No damage shall be occurred and the input fuse shall not be blown up.
Efficiency	87.66% Min
Input Power (Output: No Load)	0.1 W
Output Voltage Rating	12VDC
Output Current Range	3.5A
Output Min Current	0A
Output Connection Type	2.1 x 5.5 x 12 mm Centre Positive - Right
Line and Load Regulation	+/-5%
Over Voltage Protection	21VDC
Over Current Protection	6A output load
Short Circuit Protection	No Damage
Open Circuit Protection	When primary power is applied with no load on any output level, no components damaged or hazardous conditions should be occurred.
Ripple Voltage	150 mV (p-p) (100V-240V AC Input)
Hi-Pot	1500Vac or 2121VDC 10mA 1 min
Safety Approved	UL/CUL(UL60950-1),TUV-GS(EN60950-1),SAA(AS/NZS 60950-1) CCC(GB4943.1-2011), PSE(J60950-1)
EMI Standard	FCC(PART 15 CLASS B),CE(EN55022),RCM(EN55022:2010) GB9254,GB17625.1-2012,PSE(J55022)
Operating Temperature Range	0°C ~ +40°C
Storage Temperature	- 20°C ~ +80°C
Operating Humidity	20-85%
Storage Humidity	5-95%
Dimensions	118.5mm*48mm*35mm
Product Weight	270g
Regulator Type	Switched Mode Power Supply

General Note
TT Electronics reserves the right to make changes in product specification without notice or liability. All information is subject to TT Electronics' own data and is considered accurate at time of going to print.

TT Electronics | Stontronics Ltd
Chancerygate Business Centre, Cradock Road, Reading RG2 0AH, UK
t: +44 (0) 118 931 1199

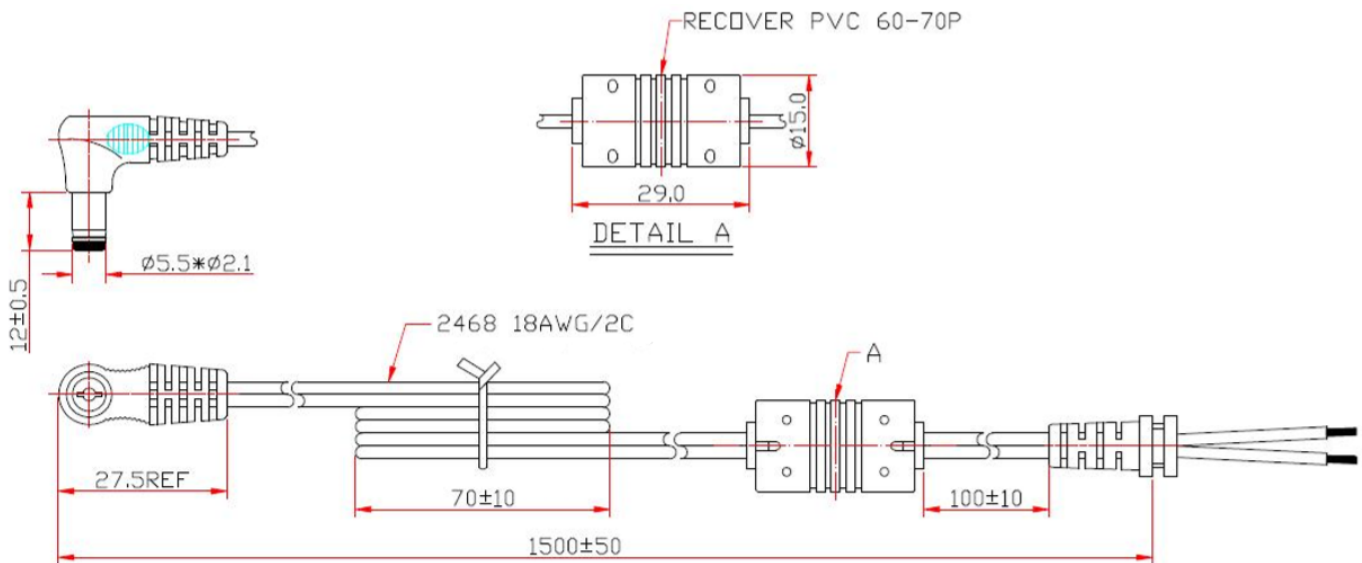
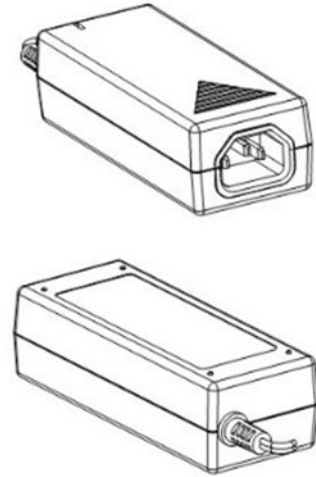
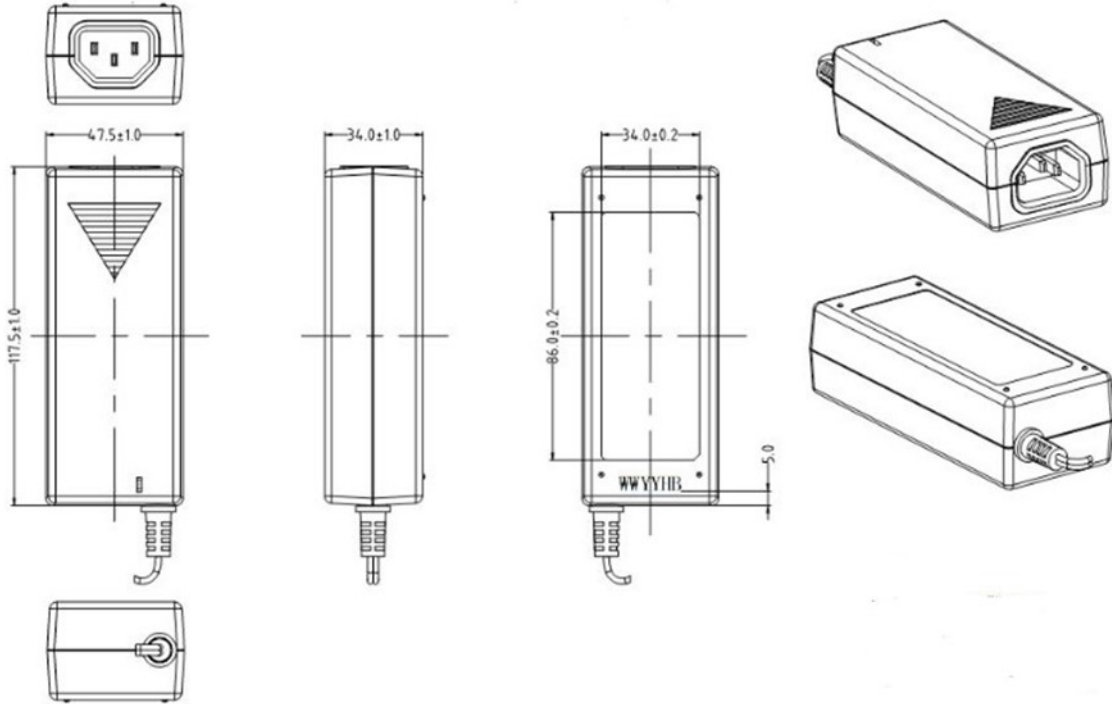
EXTERNAL DESKTOP POWER SUPPLY

12VDC 42WATT



T5865ST

Diagrams



General Note
 TT Electronics reserves the right to make changes in product specification without notice or liability. All information is subject to TT Electronics' own data and is considered accurate at time of going to print.

TT Electronics | Stontronics Ltd
 Chancerygate Business Centre, Cradock Road, Reading RG2 0AH, UK
 t: +44 (0) 118 931 1199